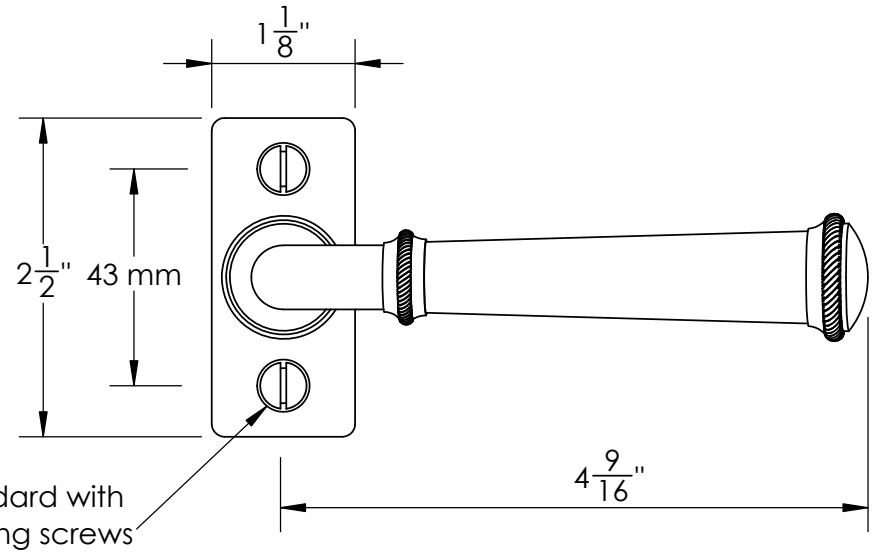


Shown above: 927-TNT-00  
Other lever styles also available



Available Backplate Styles:

-00  
standard  
1 <sup>1</sup>/<sub>8</sub>" x 2 <sup>1</sup>/<sub>2</sub>"



-01  
decorative  
1 <sup>1</sup>/<sub>2</sub>" x 2 <sup>3</sup>/<sub>4</sub>"



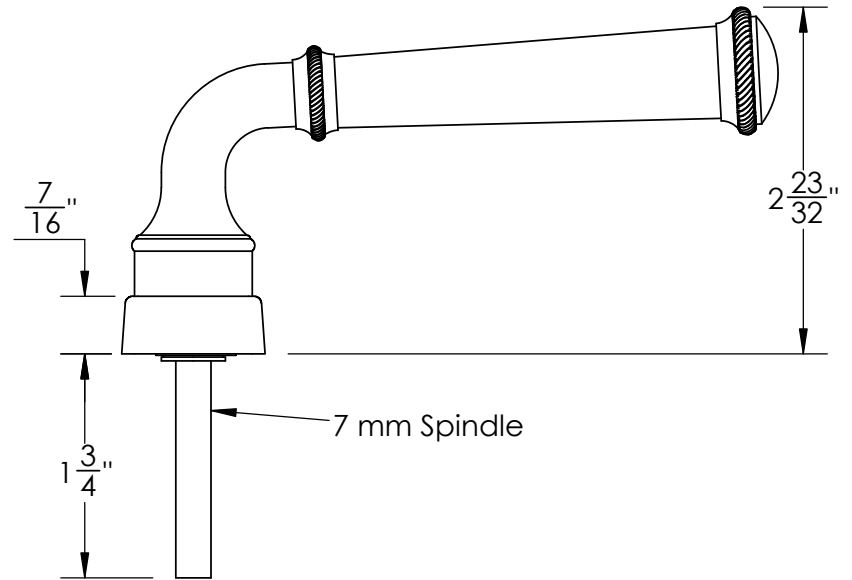
-02  
beveled  
1 <sup>1</sup>/<sub>2</sub>" x 2 <sup>3</sup>/<sub>4</sub>"



-03  
slab  
1 <sup>1</sup>/<sub>2</sub>" x 2 <sup>3</sup>/<sub>4</sub>"



-04  
stepped  
1 <sup>1</sup>/<sub>2</sub>" x 2 <sup>3</sup>/<sub>4</sub>"



Merit Metal Products Inc.  
242 Valley Road  
Warrington, PA 18976  
P 215-343-2500 F 215-343-4839

The information contained in this drawing is the sole intellectual property of Merit Metal Products. Any reproduction in part or as a whole without the written permission of Merit Metal Products is prohibited.

Unless Otherwise Specified:

Dimensions are in inches

All dimensions are from edge, theoretical sharp corner, or hole center.

	NAME	DATE
Drawn:	AJE	12/02/2019

Comments:

TITLE:

**Window Multipoint  
Tilt & Turn**

PART. NO.

**927-TNT-00**