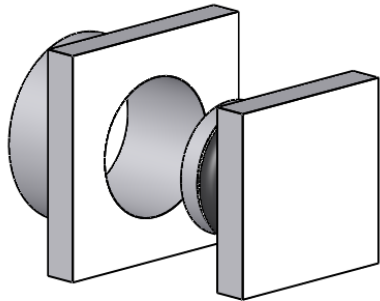
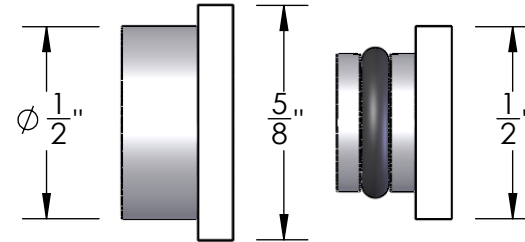


Together



Separated



PROPRIETARY AND CONFIDENTIAL
 THE INFORMATION CONTAINED IN THIS DRAWING IS THE SOLE PROPERTY OF
 MERIT METAL PRODUCTS INC. ANY REPRODUCTION IN PART OR AS A WHOLE
 WITHOUT THE WRITTEN PERMISSION OF MERIT METAL PRODUCTS INC. IS
 PROHIBITED.



Merit Metal Products Inc.
 242 Valley Road
 Warrington, PA 18976
 P 215-343-2500 F 215-343-4839

UNLESS OTHERWISE SPECIFIED:

DIMENSIONS ARE IN INCHES
 TOLERANCES: xx ± .01"
 ANGULAR: ± .5°

ALL DIMENSIONS FROM EDGE,
 THEORETICAL SHARP CORNER,
 OR HOLE CENTER

SCALE: 2:1

MATERIAL:

BRASS

	NAME	DATE
DRAWN	JHR	1/19/15
MGT APPR.		

COMMENTS:

TITLE:

**Square Emergency Key
 Plug and Backplate**

PART. NO.

62013S