

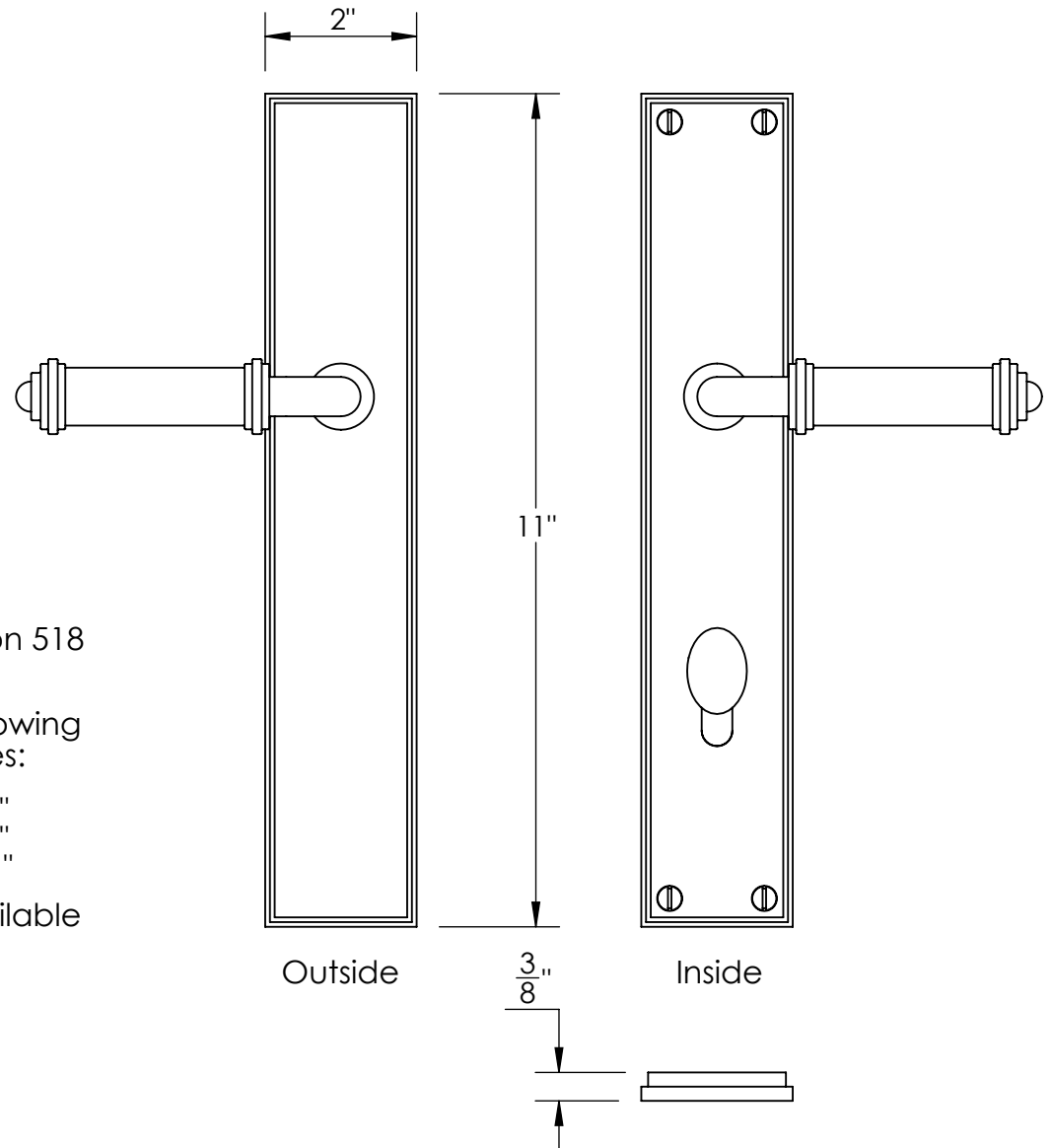


Shown with 459 lever on 518 style 2"x11" plate

Available with the following standard plate sizes:

$1\frac{3}{8}$ " x 11"	$1\frac{1}{2}$ " x 11"
$1\frac{5}{8}$ " x 11"	$1\frac{3}{4}$ " x 11"
2" x 11"	$2\frac{1}{4}$ " x 11"

Custom sizes also available



Merit Metal Products Inc.
242 Valley Road
Warrington, PA 18976
P 215-343-2500 F 215-343-4839

The information contained in this drawing is the sole intellectual property of Merit Metal Products. Any reproduction in part or as a whole without the written permission of Merit Metal Products is prohibited.

Unless Otherwise Specified:

Dimensions are in inches

All dimensions are from edge, theoretical sharp corner, or hole center.

	NAME	DATE
Drawn:	SKP	1/20/15

Comments:

Part numbers configured at time of order

TITLE:

**Euro Patio
Function Multipoint**

PART. NO.

459-7-2-02-11