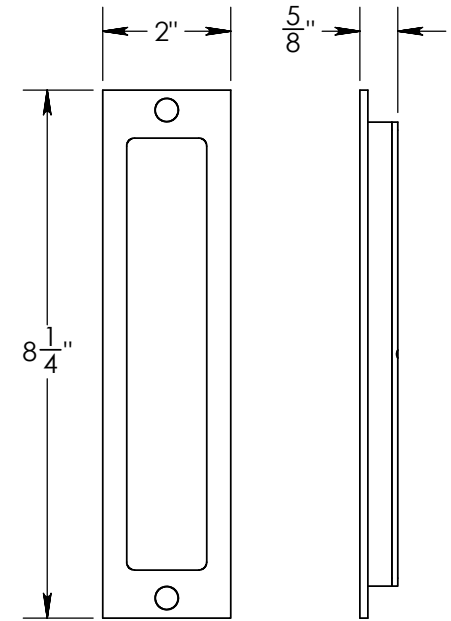


Inside Lever



Outside Flush Pull

Shown with 503 lever and stepped edge detail  
Other levers and plate styles also available



Merit Metal Products Inc.  
242 Valley Road  
Warrington, PA 18976  
P 215-343-2500 F 215-343-4839

The information contained in this drawing is the sole intellectual property of Merit Metal Products. Any reproduction in part or as a whole without the written permission of Merit Metal Products is prohibited.

Unless Otherwise Specified:

Dimensions are in inches

All dimensions are from edge, theoretical sharp corner, or hole center.

	NAME	DATE
Drawn:	JHR	1/20/15

Comments:

TITLE: **517 Style Lift & Slide with 503 Style Lever and Flush Pull**

PART. NO. **517-LNS-2**