

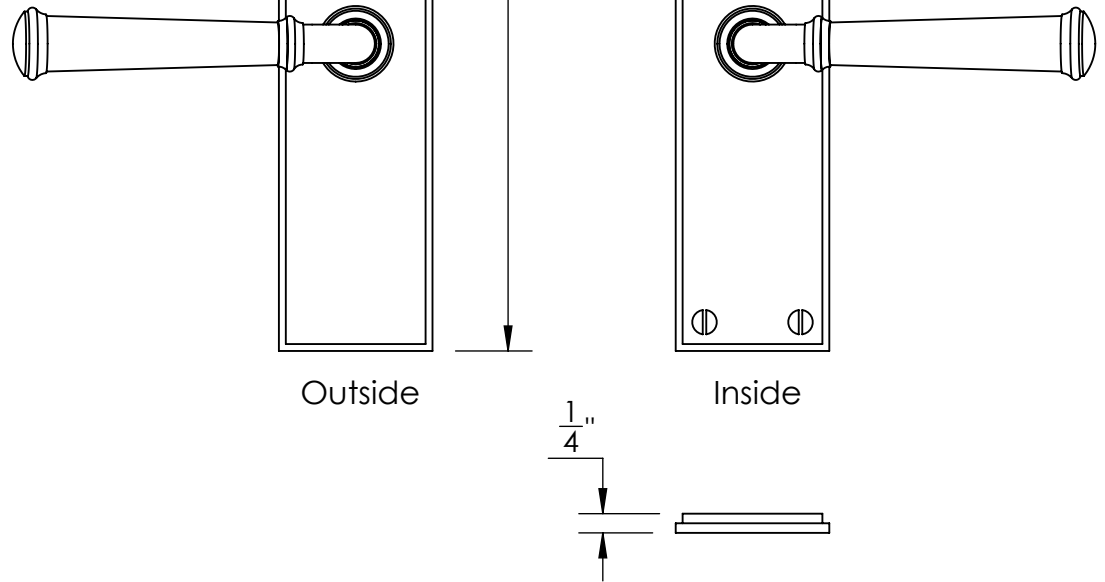


Shown with 484 lever on 516 style 2"x11" plate

Available with the following standard plate sizes:

- 1<sup>3</sup>/<sub>8</sub>" x 11"    1<sup>1</sup>/<sub>2</sub>" x 11"
- 1<sup>5</sup>/<sub>8</sub>" x 11"    1<sup>3</sup>/<sub>4</sub>" x 11"
- 2" x 11"        2<sup>1</sup>/<sub>4</sub>" x 11"

Custom sizes also available



Merit Metal Products Inc.  
242 Valley Road  
Warrington, PA 18976  
P 215-343-2500 F 215-343-4839

The information contained in this drawing is the sole intellectual property of Merit Metal Products. Any reproduction in part or as a whole without the written permission of Merit Metal Products is prohibited.

Unless Otherwise Specified:

Dimensions are in inches

All dimensions are from edge, theoretical sharp corner, or hole center.

	NAME	DATE
Drawn:	AJC	5/1/2017

Comments:  
Part numbers configured at time of order

TITLE: **American Active/Dummy Function Multipoint Lever Low**

PART. NO. **484-5-2-15-11**