

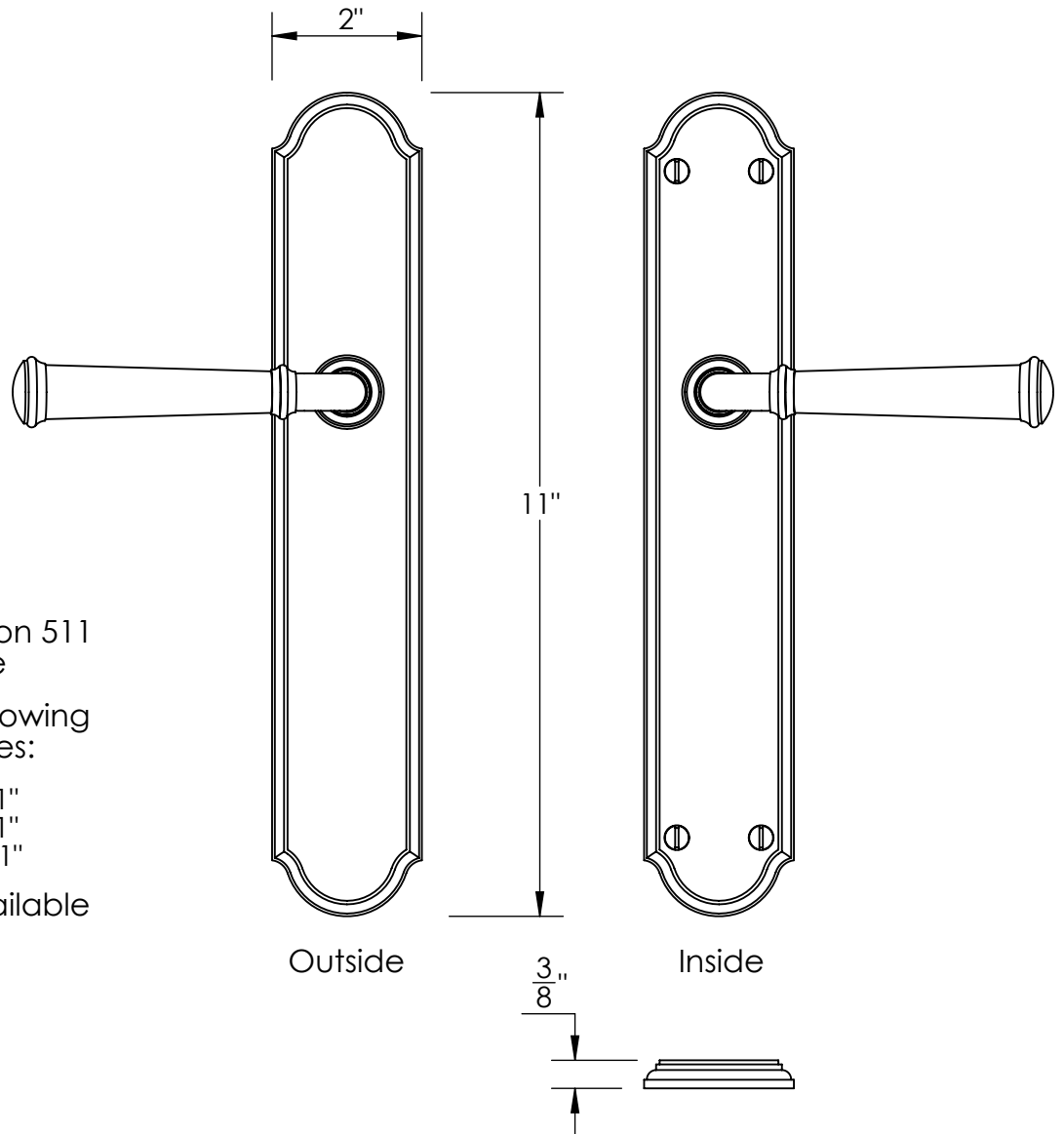


Shown with 484 lever on 511  
style 2"x11" plate

Available with the following  
standard plate sizes:

1 <sup>3</sup> / <sub>8</sub> " x 11"	1 <sup>1</sup> / <sub>2</sub> " x 11"
1 <sup>5</sup> / <sub>8</sub> " x 11"	1 <sup>3</sup> / <sub>4</sub> " x 11"
2" x 11"	2 <sup>1</sup> / <sub>4</sub> " x 11"

Custom sizes also available



Merit Metal Products Inc.  
242 Valley Road  
Warrington, PA 18976  
P 215-343-2500 F 215-343-4839

The information contained  
in this drawing is the sole  
intellectual property of  
Merit Metal Products. Any  
reproduction in part or as a  
whole without the written  
permission of Merit Metal  
Products is prohibited.

Unless Otherwise Specified:

Dimensions are in inches

All dimensions are from  
edge, theoretical sharp  
corner, or hole center.

	NAME	DATE
Drawn:	SKP	1/20/15

Comments:

Part numbers  
configured at  
time of order

TITLE:

**Passage  
Function Multipoint**

PART. NO.

**484-3-2-04-11**