

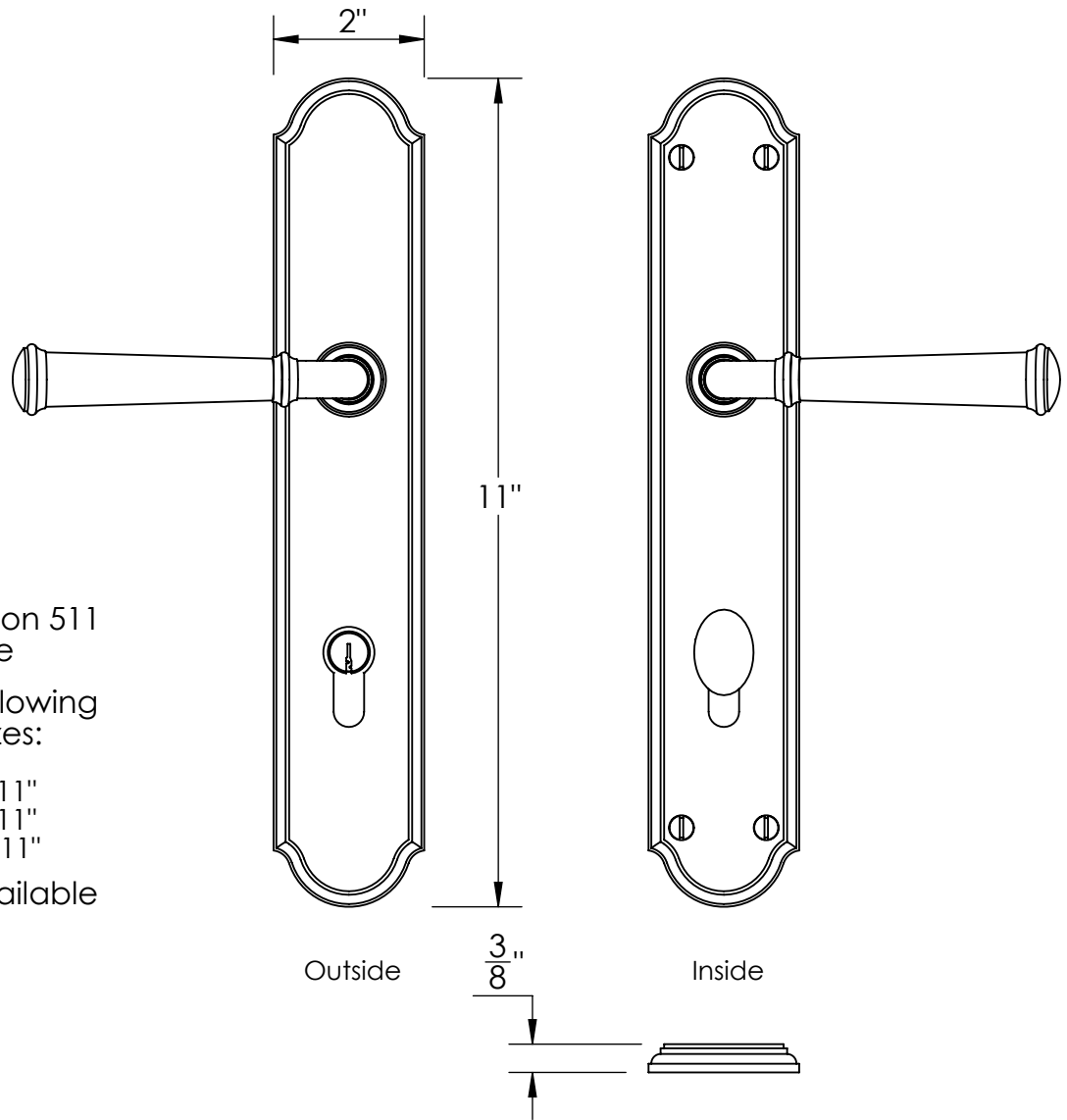


Shown with 484 lever on 511 style 2"x11" plate

Available with the following standard plate sizes:

- 1³/₈" x 11" 1¹/₂" x 11"
- 1⁵/₈" x 11" 1³/₄" x 11"
- 2" x 11" 2¹/₄" x 11"

Custom sizes also available



Merit Metal Products Inc.
242 Valley Road
Warrington, PA 18976
P 215-343-2500 F 215-343-4839

The information contained in this drawing is the sole intellectual property of Merit Metal Products. Any reproduction in part or as a whole without the written permission of Merit Metal Products is prohibited.

Unless Otherwise Specified:

Dimensions are in inches

All dimensions are from edge, theoretical sharp corner, or hole center.

	NAME	DATE
Drawn:	SKP	1/20/15

Comments:

Part numbers configured at time of order

TITLE:

**Euro Entrance
Function Multipoint**

PART. NO.

484-3-2-01-11