

Escutcheon plates available for all lock configurations in the following standard sizes:

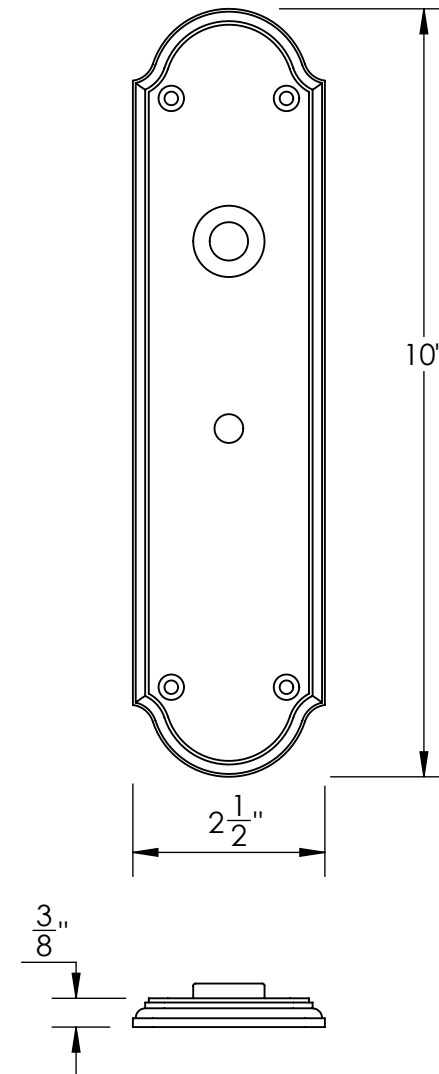
- 51151 - 2¼" X 7"
- 51152 - 2¾" X 10"
- 51153 - 2½" X 10"
- 51154 - 3" X 19"
- 51155 - 2" X 11"
- 51156 - 3" X 12"

Custom sizes also available

Please specify lock, knob/lever design, and thumbturn style



Shown above: 51153 oval thumbturn escutcheon plate with 46633 knob



Merit Metal Products Inc.  
242 Valley Road  
Warrington, PA 18976  
P 215-343-2500 F 215-343-4839

The information contained in this drawing is the sole intellectual property of Merit Metal Products. Any reproduction in part or as a whole without the written permission of Merit Metal Products is prohibited.

Unless Otherwise Specified:

Dimensions are in inches

All dimensions are from edge, theoretical sharp corner, or hole center.

	NAME	DATE
Drawn:	SKP	1/20/15

Comments:

TITLE: **Decorative Scalloped Oval Thumbturn Escutcheon Plate**

PART. NO. **51153**