

Escutcheon plates available for all lock configurations in the following standard sizes:

51111 - 2¼" X 7"

51112 - 2¾" X 10"

51113 - 2½" X 10"

51114 - 3" X 19"

51115 - 2" X 11"

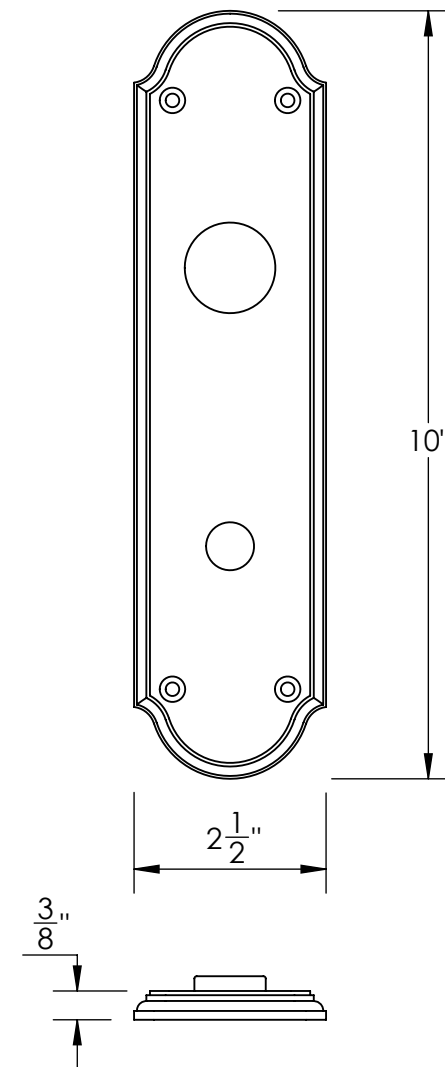
51116 - 3" X 12"

Custom sizes also available

Please specify lock, knob/lever design, and thumbturn style



Shown above: 51113 escutcheon plate with 46633 knob



Merit Metal Products Inc.  
242 Valley Road  
Warrington, PA 18976  
P 215-343-2500 F 215-343-4839

The information contained in this drawing is the sole intellectual property of Merit Metal Products. Any reproduction in part or as a whole without the written permission of Merit Metal Products is prohibited.

Unless Otherwise Specified:

Dimensions are in inches

All dimensions are from edge, theoretical sharp corner, or hole center.

	NAME	DATE
Drawn:	SKP	1/20/15

Comments:

TITLE:  
**Decorative Scalloped  
Cylinder Escutcheon Plate**

PART. NO.  
**51113**