

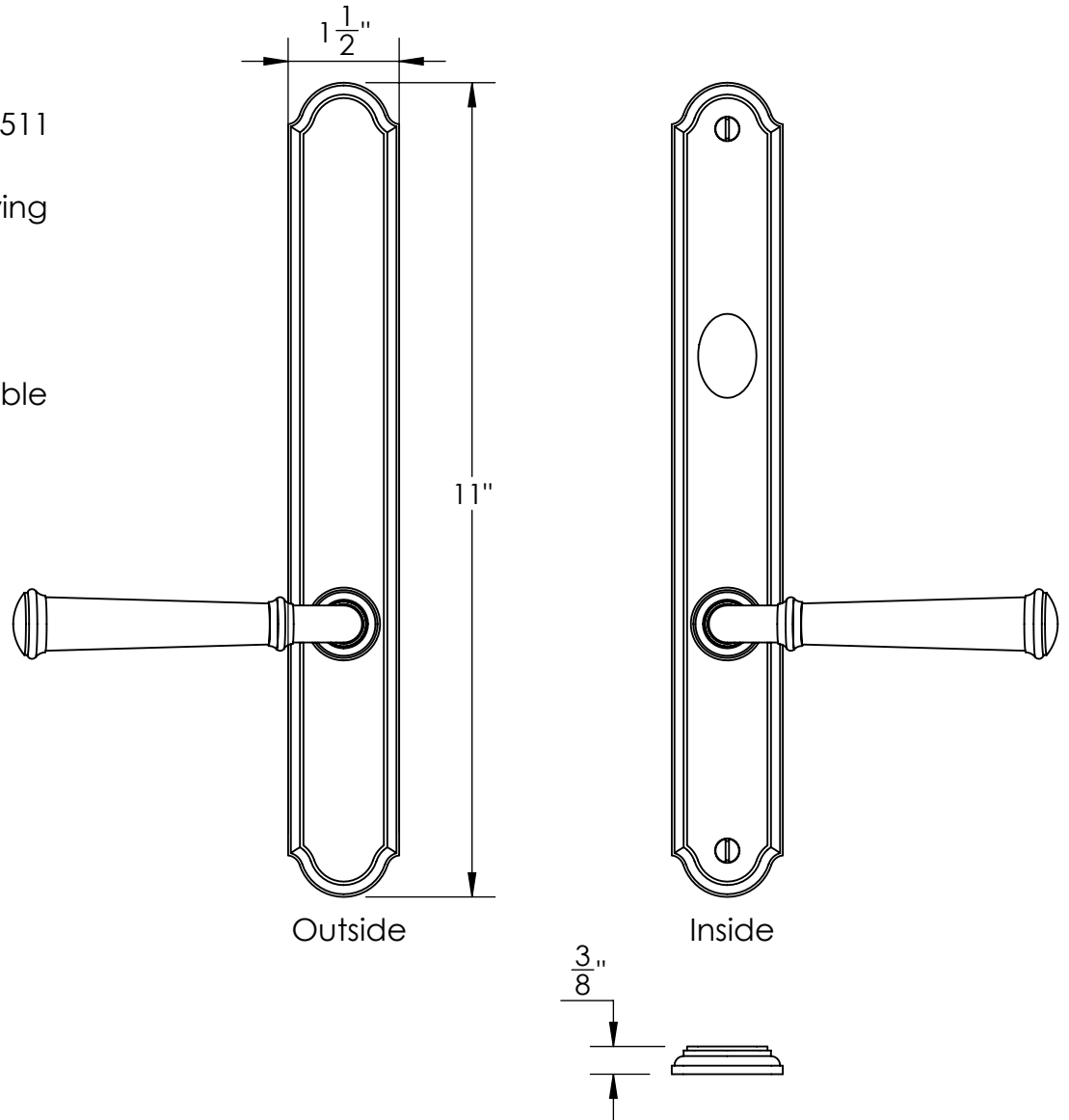


Shown with 484 lever on 511
style 1-1/2" x 11" plate

Available with the following
standard plate sizes:

1 3/8" x 11" 1 1/2" x 11"
1 5/8" x 11" 1 3/4" x 11"
2" x 11" 2 1/4" x 11"

Custom sizes also available



MERIT
EST. 1876

Merit Metal Products Inc.
242 Valley Road
Warrington, PA 18976
P 215-343-2500 F 215-343-4839

The information contained
in this drawing is the sole
intellectual property of
Merit Metal Products. Any
reproduction in part or as a
whole without the written
permission of Merit Metal
Products is prohibited.

Unless Otherwise Specified:

Dimensions are in inches

All dimensions are from
edge, theoretical sharp
corner, or hole center.

| | NAME | DATE |
|--------|------|----------|
| Drawn: | AJC | 5/1/2017 |

Comments:

Part numbers
configured at
time of order

TITLE:

**American Patio
Function Multipoint
Lever Low**

PART. NO.

484-3-4-12-10