

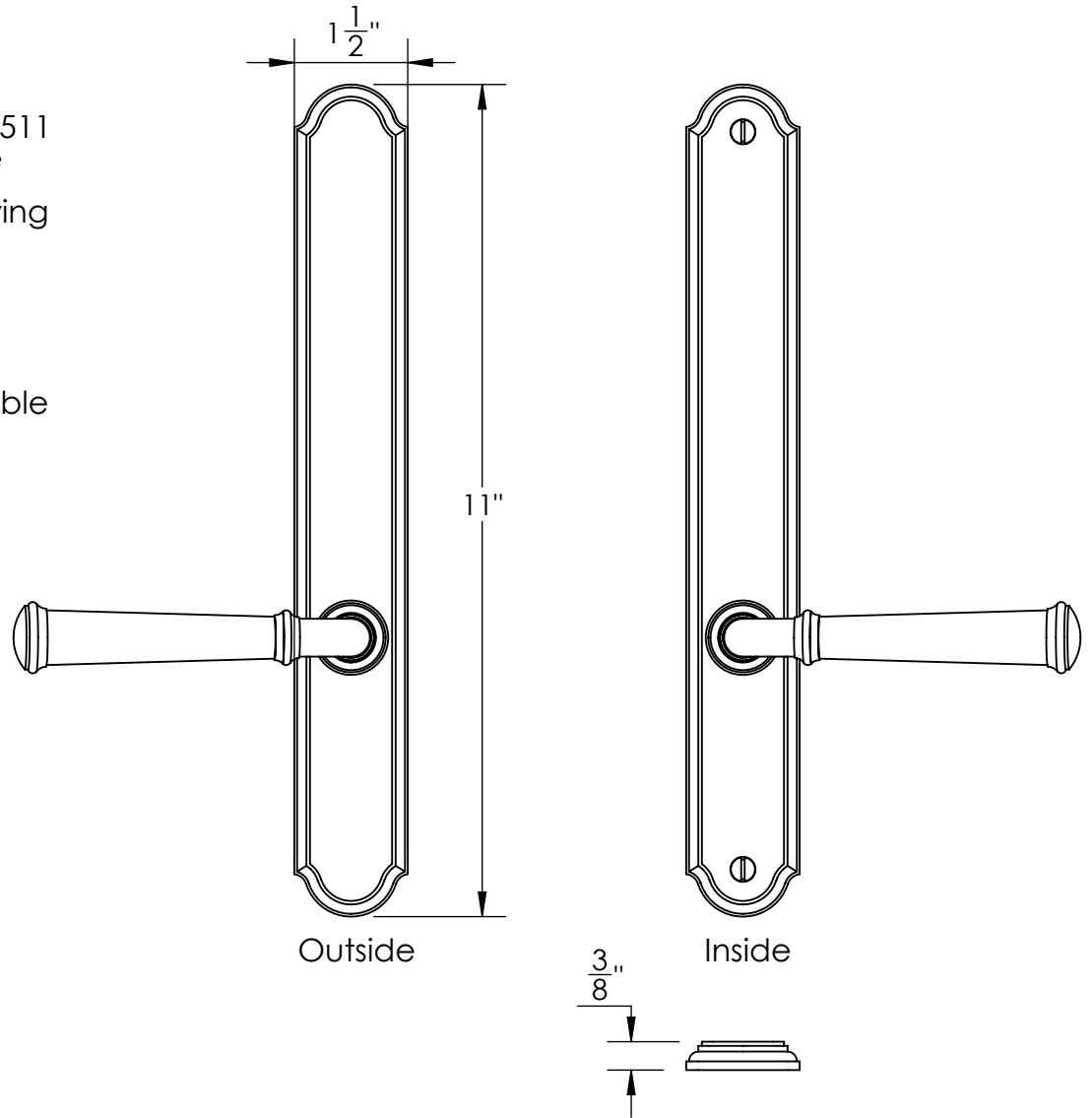


Shown with 484 lever on 511 style 1-1/2" x 11" plate

Available with the following standard plate sizes:

1 3/8" x 11" 1 1/2" x 11"
 1 5/8" x 11" 1 3/4" x 11"
 2" x 11" 2 1/4" x 11"

Custom sizes also available



Merit Metal Products Inc.
 242 Valley Road
 Warrington, PA 18976
 P 215-343-2500 F 215-343-4839

The information contained in this drawing is the sole intellectual property of Merit Metal Products. Any reproduction in part or as a whole without the written permission of Merit Metal Products is prohibited.

Unless Otherwise Specified:

Dimensions are in inches

All dimensions are from edge, theoretical sharp corner, or hole center.

	NAME	DATE
Drawn:	AJC	5/1/2017

Comments:
 Part numbers configured at time of order

TITLE: **American Active/Dummy Function Multipoint Lever Low**

PART. NO.
484-3-4-15-10