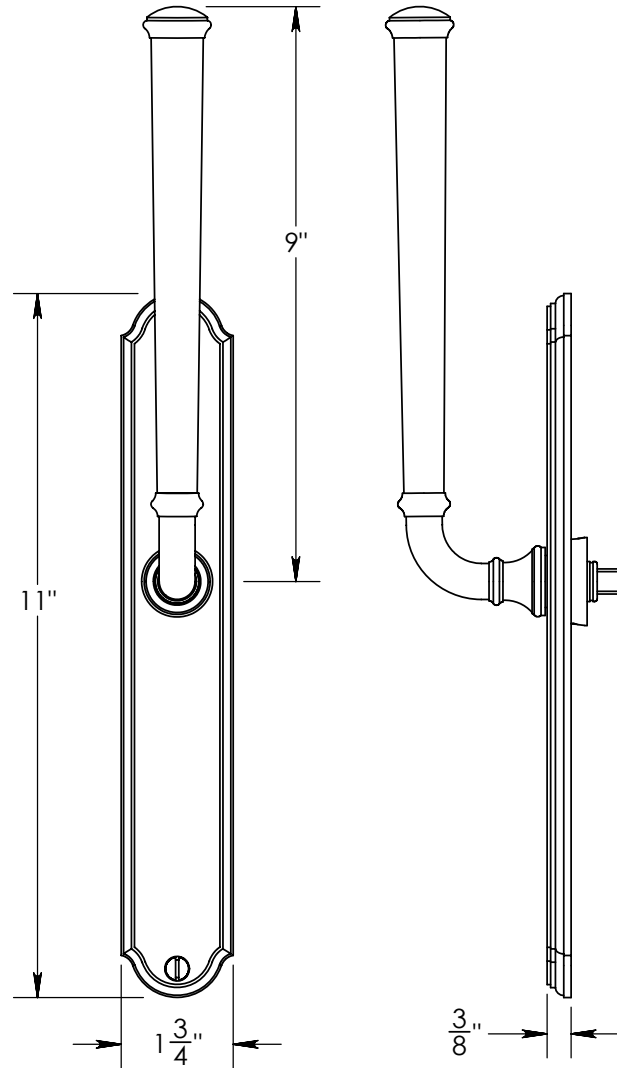
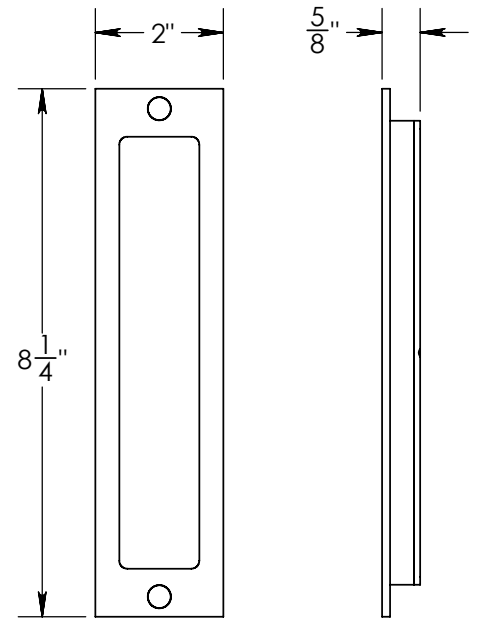




Shown with 484 lever and decorative scalloped edge detail
Other levers and plate styles also available



Inside Lever



Outside Flush Pull



Merit Metal Products Inc.
242 Valley Road
Warrington, PA 18976
P 215-343-2500 F 215-343-4839

The information contained in this drawing is the sole intellectual property of Merit Metal Products. Any reproduction in part or as a whole without the written permission of Merit Metal Products is prohibited.

Unless Otherwise Specified:

Dimensions are in inches

All dimensions are from edge, theoretical sharp corner, or hole center.

	NAME	DATE
Drawn:	JHR	1/20/15

Comments:

TITLE: **511 Style Lift & Slide with 484 Style Lever and Flush Pull**

PART. NO. **511-LNS-2**