

Escutcheon plates available for all lock configurations in the following standard sizes:

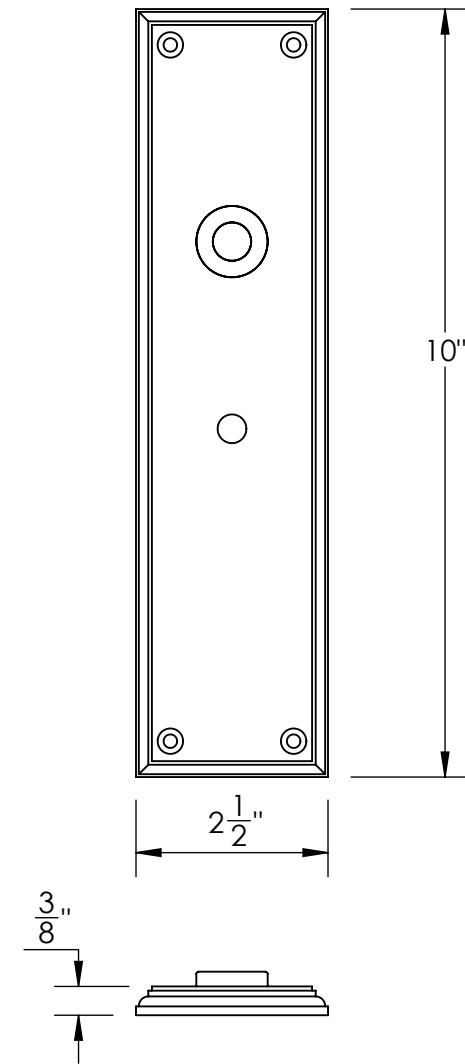
- 51061 - 2¼" X 7"
- 51062 - 2¾" X 10"
- 51063 - 2½" X 10"
- 51064 - 3" X 19"
- 51065 - 2" X 11"
- 51066 - 3" X 12"

Custom sizes also available

Please specify lock and knob/lever design



Shown above: 51063 escutcheon plate with 47533 knob



Merit Metal Products Inc.
242 Valley Road
Warrington, PA 18976
P 215-343-2500 F 215-343-4839

The information contained in this drawing is the sole intellectual property of Merit Metal Products. Any reproduction in part or as a whole without the written permission of Merit Metal Products is prohibited.

Unless Otherwise Specified:

Dimensions are in inches

All dimensions are from edge, theoretical sharp corner, or hole center.

	NAME	DATE
Drawn:	SKP	1/20/15

Comments:

TITLE: **Decorative Rectangular
Emergency Key
Escutcheon Plate With Plug**

PART. NO.

51063