

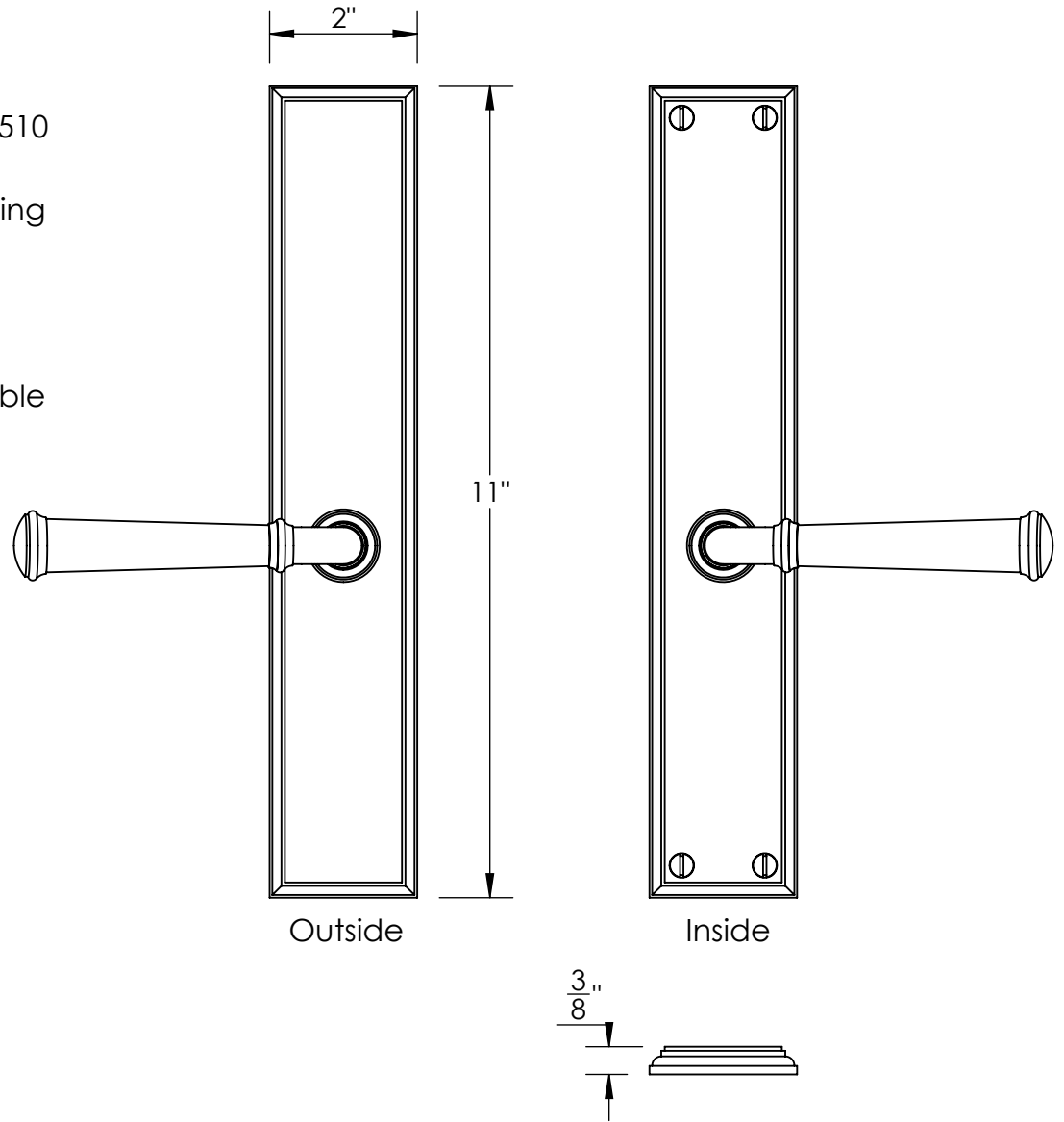


Shown with 484 lever on 510 style 2"x11" plate

Available with the following standard plate sizes:

$1\frac{3}{8}$ " x 11"     $1\frac{1}{2}$ " x 11"  
 $1\frac{5}{8}$ " x 11"     $1\frac{3}{4}$ " x 11"  
 2" x 11"     $2\frac{1}{4}$ " x 11"

Custom sizes also available



Merit Metal Products Inc.  
 242 Valley Road  
 Warrington, PA 18976  
 P 215-343-2500 F 215-343-4839

The information contained in this drawing is the sole intellectual property of Merit Metal Products. Any reproduction in part or as a whole without the written permission of Merit Metal Products is prohibited.

Unless Otherwise Specified:

Dimensions are in inches

All dimensions are from edge, theoretical sharp corner, or hole center.

	NAME	DATE
Drawn:	AJC	5/1/2017

Comments:

Part numbers configured at time of order

TITLE: **American Passage Function Multipoint Lever Low**

PART. NO.

**484-2-4-14-11**