

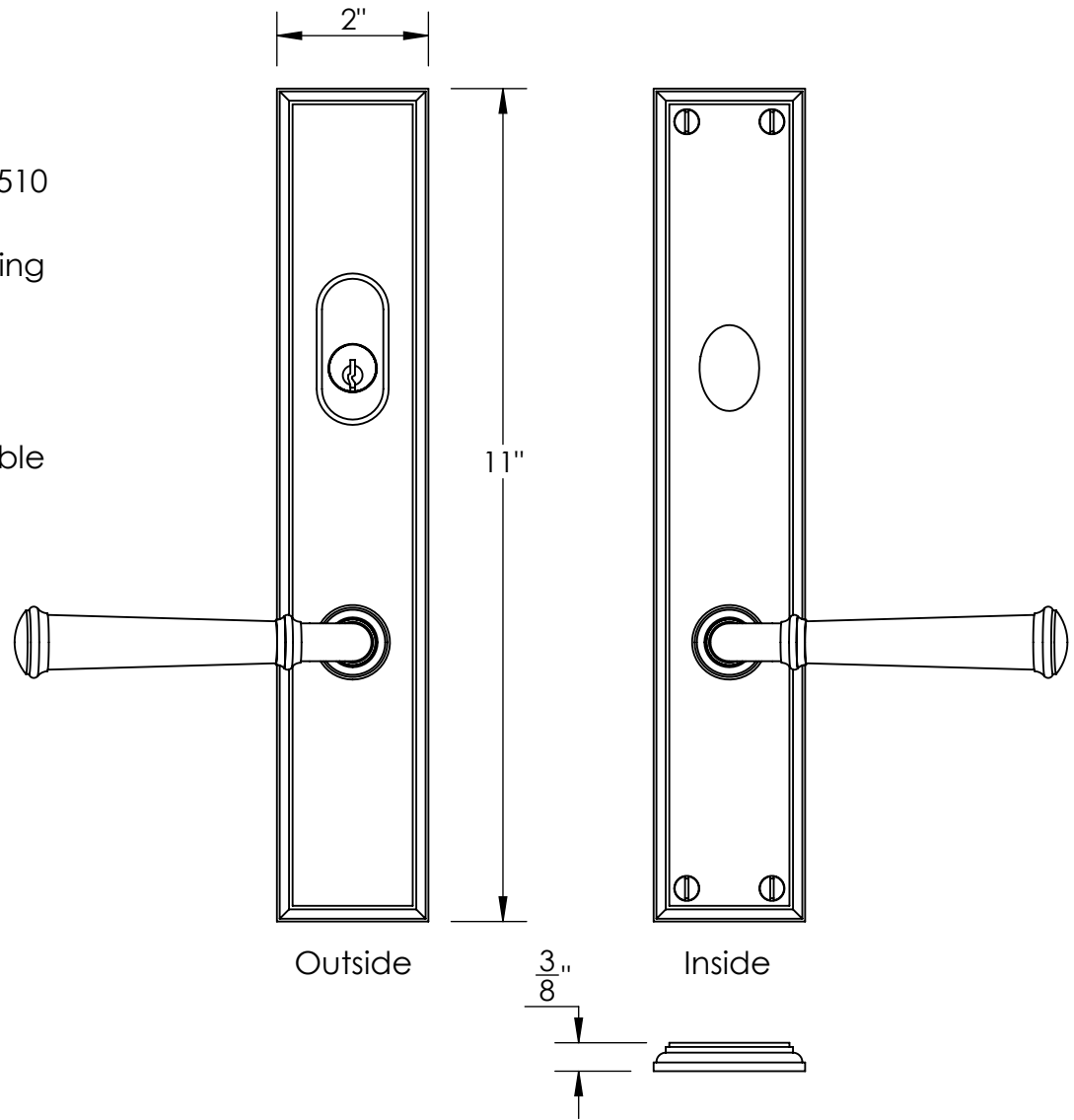


Shown with 484 lever on 510 style 2"x11" plate

Available with the following standard plate sizes:

|                                       |                                       |
|---------------------------------------|---------------------------------------|
| 1 <sup>3</sup> / <sub>8</sub> " x 11" | 1 <sup>1</sup> / <sub>2</sub> " x 11" |
| 1 <sup>5</sup> / <sub>8</sub> " x 11" | 1 <sup>3</sup> / <sub>4</sub> " x 11" |
| 2" x 11"                              | 2 <sup>1</sup> / <sub>4</sub> " x 11" |

Custom sizes also available



Merit Metal Products Inc.  
242 Valley Road  
Warrington, PA 18976  
P 215-343-2500 F 215-343-4839

The information contained in this drawing is the sole intellectual property of Merit Metal Products. Any reproduction in part or as a whole without the written permission of Merit Metal Products is prohibited.

Unless Otherwise Specified:

Dimensions are in inches

All dimensions are from edge, theoretical sharp corner, or hole center.

|        | NAME | DATE      |
|--------|------|-----------|
| Drawn: | SKP  | 1/20/2015 |

Comments:

Part numbers configured at time of order

TITLE: **American Entrance Function Multipoint Lever Low**

PART. NO.

**484-2-4-11-11**