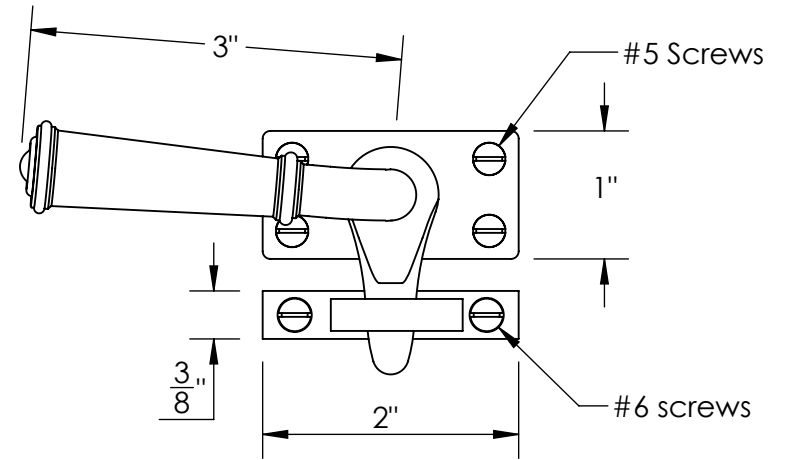


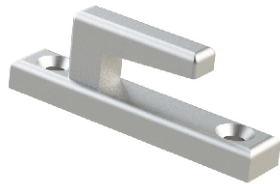


Shown above: 501-CASEMENT-LH
Other lever styles also available



Available Keeper Styles:

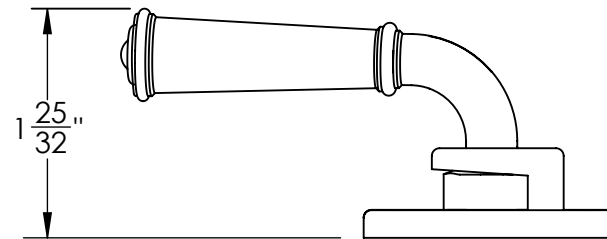
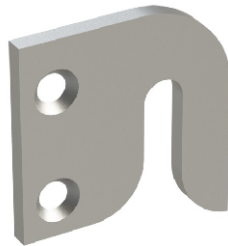
1323SC



1323SM



1323RIM



Merit Metal Products Inc.
242 Valley Road
Warrington, PA 18976
P 215-343-2500 F 215-343-4839

The information contained in this drawing is the sole intellectual property of Merit Metal Products. Any reproduction in part or as a whole without the written permission of Merit Metal Products is prohibited.

Unless Otherwise Specified:

Dimensions are in inches

All dimensions are from edge, theoretical sharp corner, or hole center.

	NAME	DATE
Drawn:	SKP	1/20/15
Comments:		

TITLE:
**Window Casement
Left Hand**

PART. NO.
501-CASEMENT-LH