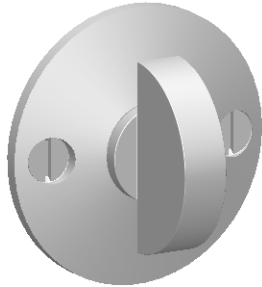
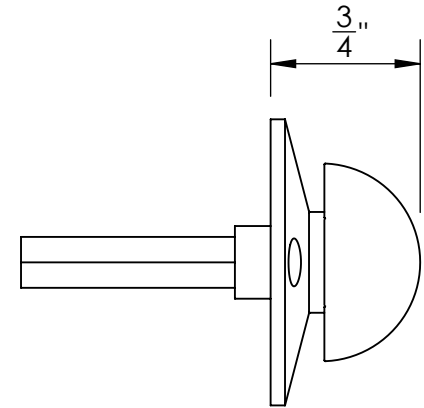
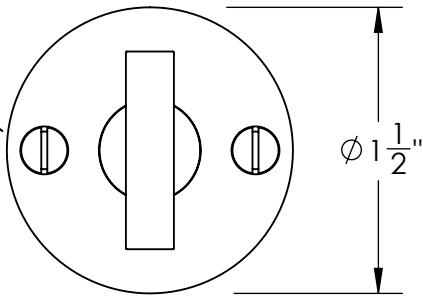


49456



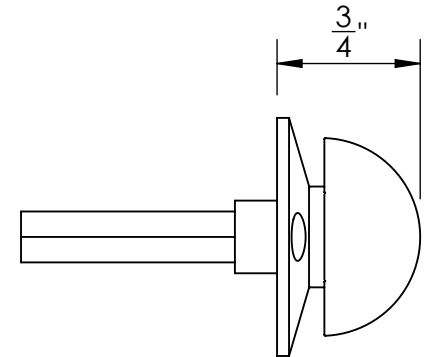
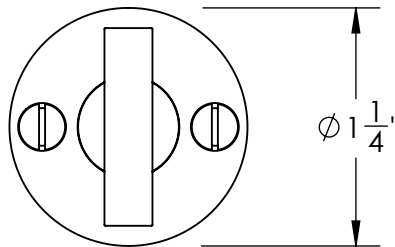
#5 Screws



49457



#5 Screws



Merit Metal Products Inc.  
242 Valley Road  
Warrington, PA 18976  
P 215-343-2500 F 215-343-4839

The information contained in this drawing is the sole intellectual property of Merit Metal Products. Any reproduction in part or as a whole without the written permission of Merit Metal Products is prohibited.

Unless Otherwise Specified:

Dimensions are in inches

All dimensions are from edge, theoretical sharp corner, or hole center.

|        |      |         |
|--------|------|---------|
|        | NAME | DATE    |
| Drawn: | JHR  | 1/20/15 |

Comments:

TITLE: **Ardmore Collection  
Modern Thumbturn  
with 3/16" Spindle**

PART. NO.  
**49456 & 49457**