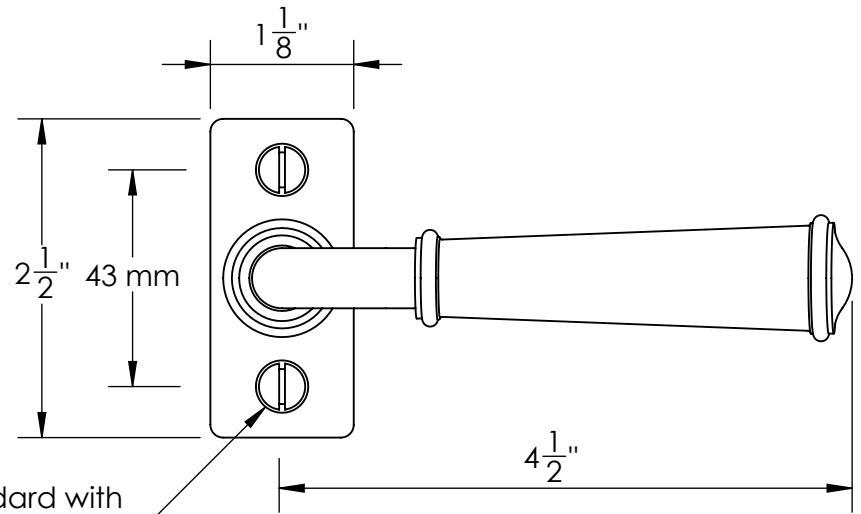




Shown above: 492-TNT-00
Other lever styles also available



Comes standard with
M5 x 25mm long screws

Available Backplate Styles:

-00
standard
1 1/8" x 2 1/2"



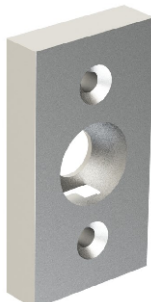
-01
decorative
1 1/2" x 2 3/4"



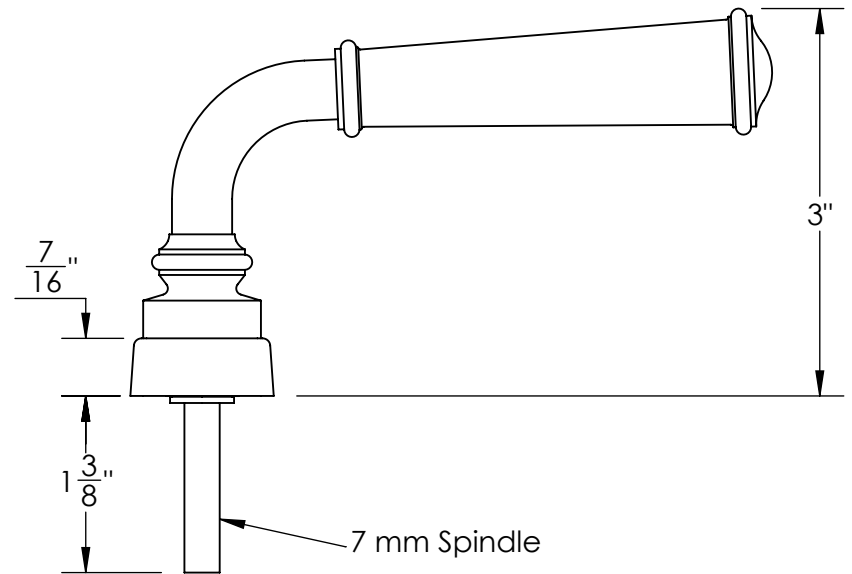
-02
beveled
1 1/2" x 2 3/4"



-03
slab
1 1/2" x 2 3/4"



-04
stepped
1 1/2" x 2 3/4"



7 mm Spindle



Merit Metal Products Inc.
242 Valley Road
Warrington, PA 18976
P 215-343-2500 F 215-343-4839

The information contained in this drawing is the sole intellectual property of Merit Metal Products. Any reproduction in part or as a whole without the written permission of Merit Metal Products is prohibited.

Unless Otherwise Specified:

Dimensions are in inches

All dimensions are from edge, theoretical sharp corner, or hole center.

| | NAME | DATE |
|--------|------|---------|
| Drawn: | JHR | 1/20/15 |

Comments:

TITLE:
**Window Multipoint
Tilt & Turn**

PART. NO.
492-TNT-00