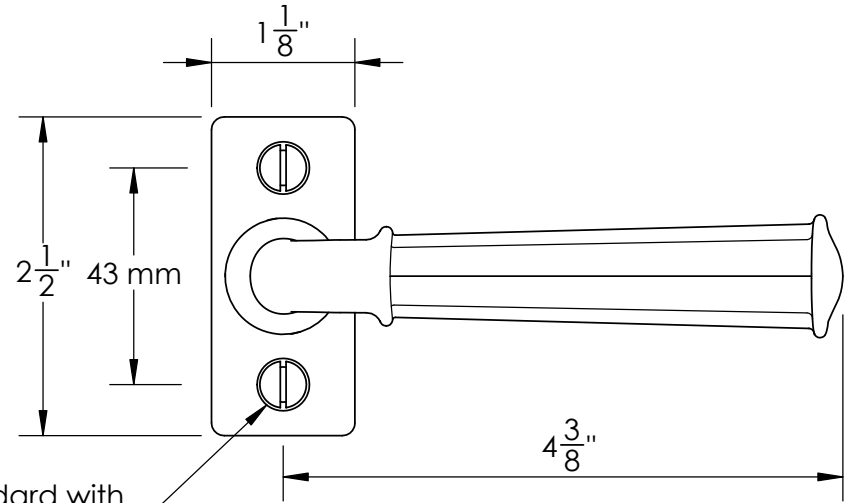


Shown above: 491-TNT-00  
Other lever styles also available



Comes standard with  
M5 x 2.25" long screws

Available Backplate Styles:

-00  
standard  
1 1/8" x 2 1/2"



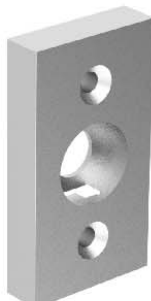
-01  
decorative  
1 1/2" x 2 3/4"



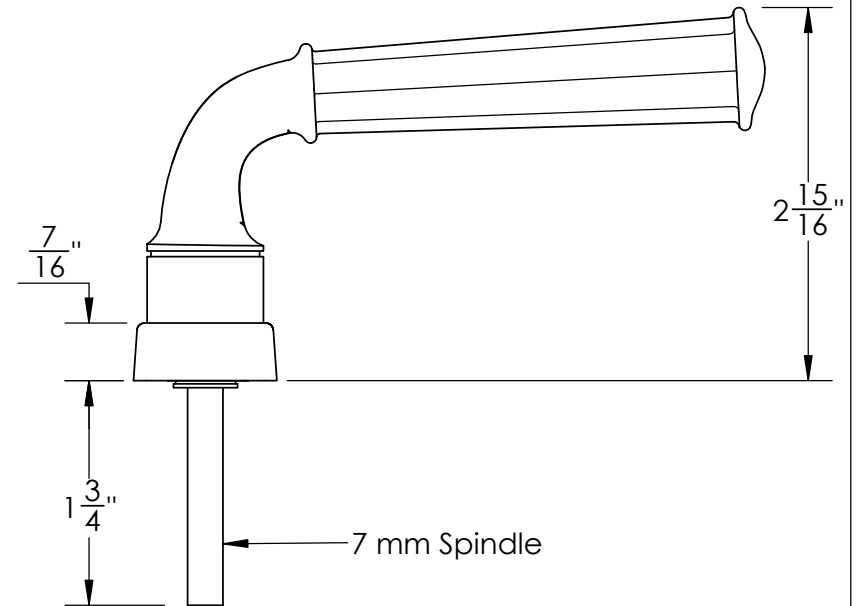
-02  
beveled  
1 1/2" x 2 3/4"



-03  
slab  
1 1/2" x 2 3/4"



-04  
stepped  
1 1/2" x 2 3/4"



7 mm Spindle



Merit Metal Products Inc.  
242 Valley Road  
Warrington, PA 18976  
P 215-343-2500 F 215-343-4839

The information contained in this drawing is the sole intellectual property of Merit Metal Products. Any reproduction in part or as a whole without the written permission of Merit Metal Products is prohibited.

Unless Otherwise Specified:

Dimensions are in inches

All dimensions are from edge, theoretical sharp corner, or hole center.

	NAME	DATE
Drawn:	JHR	1/20/15
Comments:		

TITLE:  
**Window Multipoint  
Tilt & Turn**

PART. NO.  
**491-TNT-00**