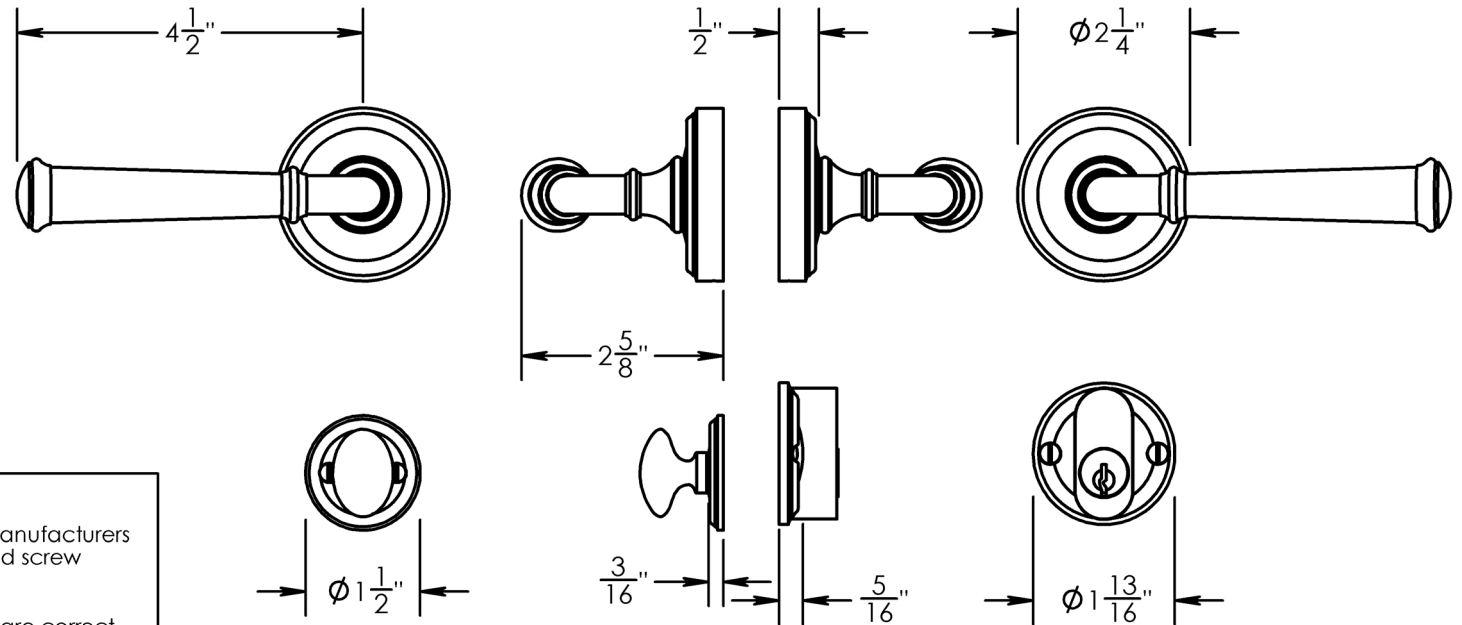




484 Style Spring Assist Levers - Broached 8mm
484 Style Spring Assist Roses



MULTIPOINT CUSTOMER APPROVAL

Due to the many variations of multipoint lock manufacturers please confirm all lever, thumbturn, cylinder, and screw spacing with the exact lock that will be used.

By signing, customer agrees that all dimensions are correct and the part will be manufactured as shown.

X _____

Date- _____



Merit Metal Products Inc.
242 Valley Road
Warrington, PA 18976
P 215-343-2500 F 215-343-4839

The information contained in this drawing is the sole intellectual property of Merit Metal Products. Any reproduction in part or as a whole without the written permission of Merit Metal Products is prohibited.

Unless Otherwise Specified:

Dimensions are in inches

All dimensions are from edge, theoretical sharp corner, or hole center.

	NAME	DATE
Drawn:	JJB	4/4/2023

Comments:

TITLE:

**American Sectional Entrance
Multipoint with 484 Style Spring
Assist Levers and Roses**

PART. NO.

484SA-0-0-21-00