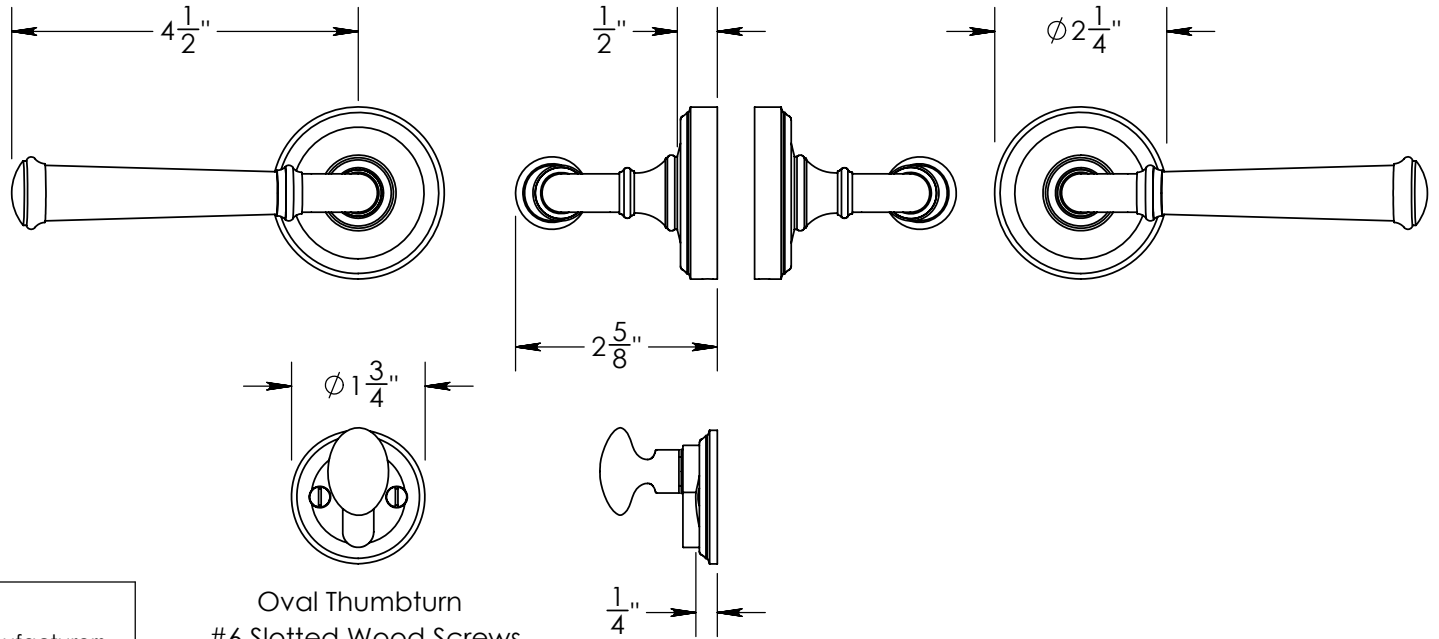
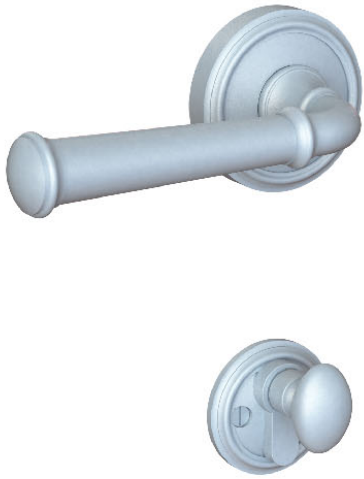


484 Style Spring Assist Levers - Broached 8mm  
 484 Style Spring Assist Roses



Oval Thumbturn  
 #6 Slotted Wood Screws

MULTIPOINT CUSTOMER APPROVAL

Due to the many variations of multipoint lock manufacturers please confirm all lever, thumbturn, cylinder, and screw spacing with the exact lock that will be used.

By signing, customer agrees that all dimensions are correct and the part will be manufactured as shown.

X \_\_\_\_\_

Date- \_\_\_\_\_



Merit Metal Products Inc.  
 242 Valley Road  
 Warrington, PA 18976  
 P 215-343-2500 F 215-343-4839

The information contained in this drawing is the sole intellectual property of Merit Metal Products. Any reproduction in part or as a whole without the written permission of Merit Metal Products is prohibited.

Unless Otherwise Specified:

Dimensions are in inches

All dimensions are from edge, theoretical sharp corner, or hole center.

	NAME	DATE
Drawn:	JJB	4/4/2023

Comments:

TITLE:  
**Euro Multipoint Patio Function  
 with 484 Style Spring Assist  
 Levers and Roses**

PART. NO.  
**484SA-0-0-02-00**