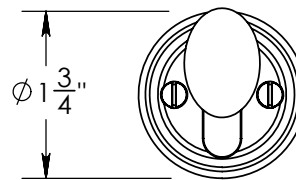
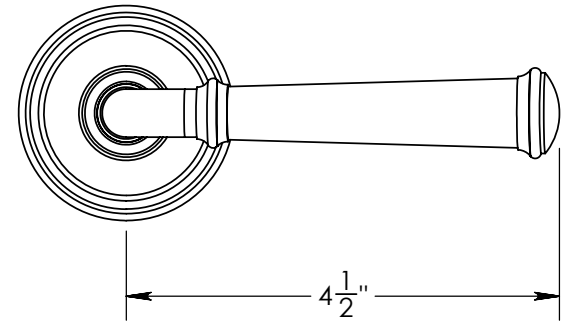
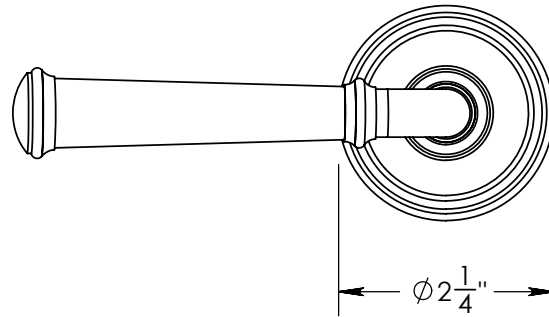
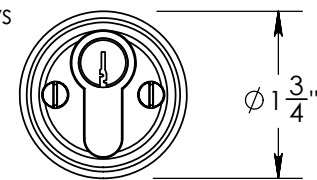


484 Style Spring Assist Lever and Rose



#6 Wood Screws



Oval Thumbturn

**MULTIPOINT CUSTOMER APPROVAL**

Due to the many variations of multipoint lock manufacturers please confirm all lever, thumbturn, cylinder, and screw spacing with the exact lock that will be used.

By signing, customer agrees that all dimensions are correct and the part will be manufactured as shown.

X \_\_\_\_\_

Date- \_\_\_\_\_



Merit Metal Products Inc.  
242 Valley Road  
Warrington, PA 18976  
P 215-343-2500 F 215-343-4839

The information contained in this drawing is the sole intellectual property of Merit Metal Products. Any reproduction in part or as a whole without the written permission of Merit Metal Products is prohibited.

Unless Otherwise Specified:

Dimensions are in inches

All dimensions are from edge, theoretical sharp corner, or hole center.

	NAME	DATE
Drawn:	AJE	1/31/2022

Comments:

**TITLE: Euro Sectional Multipoint - Entrance Function - 484 Style Spring Assist Levers & Roses**

PART. NO.

**484SA-0-0-01-00**