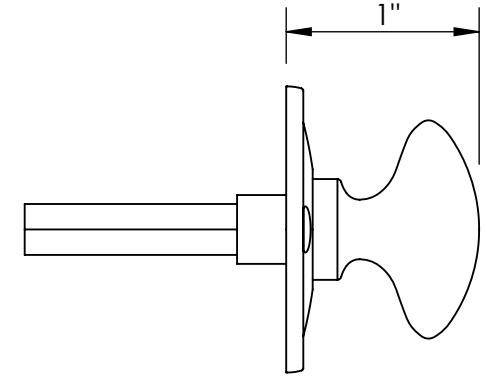
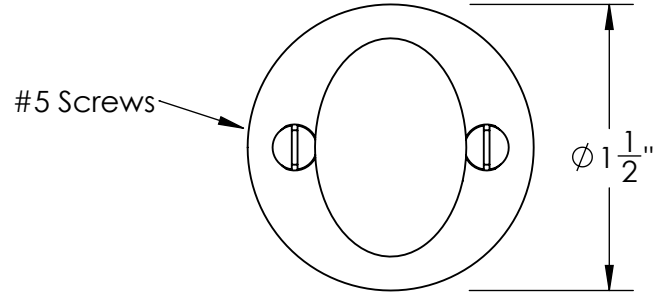
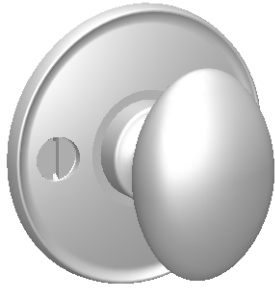
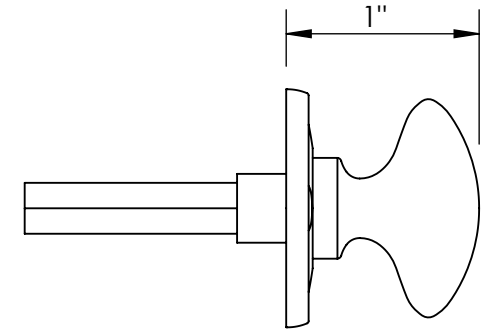
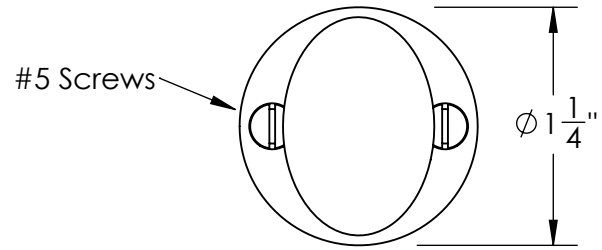
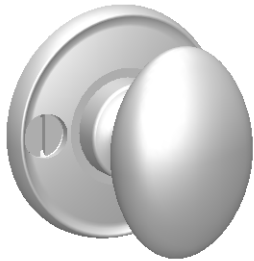


47652



47653



Merit Metal Products Inc.  
242 Valley Road  
Warrington, PA 18976  
P 215-343-2500 F 215-343-4839

The information contained in this drawing is the sole intellectual property of Merit Metal Products. Any reproduction in part or as a whole without the written permission of Merit Metal Products is prohibited.

Unless Otherwise Specified:  
Dimensions are in inches  
All dimensions are from edge, theoretical sharp corner, or hole center.

	NAME	DATE
Drawn:	JHR	1/20/15
Comments:		

TITLE: **Huntingdon Collection  
Oval Thumbturn with  
3/16" Spindle**

PART. NO.  
**47652 & 47653**