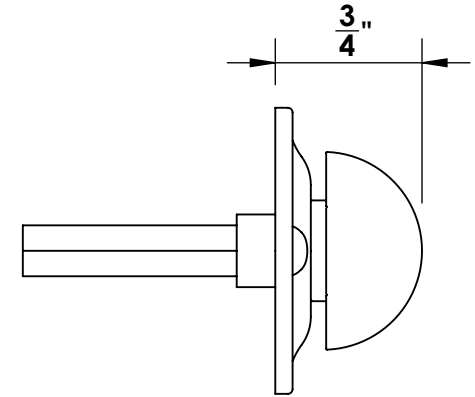
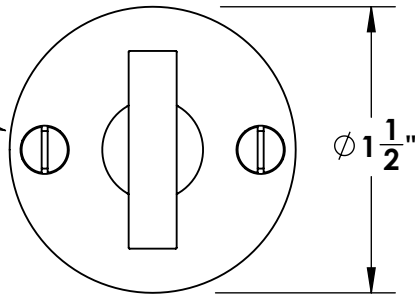


46756



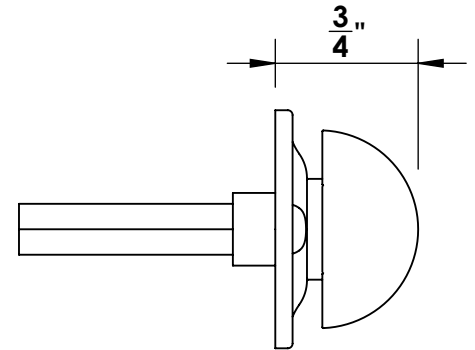
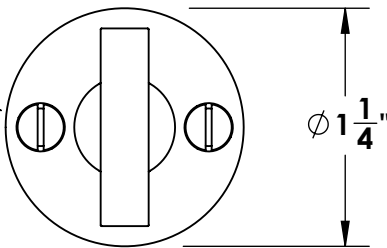
#5 Screws



46757



#5 Screws



EST. 1876

Merit Metal Products Inc.
242 Valley Road
Warrington, PA 18976
P 215-343-2500 F 215-343-4839

The information contained in this drawing is the sole intellectual property of Merit Metal Products. Any reproduction in part or as a whole without the written permission of Merit Metal Products is prohibited.

Unless Otherwise Specified:

Dimensions are in inches

All dimensions are from edge, theoretical sharp corner, or hole center.

| | NAME | DATE |
|--------|------|---------|
| Drawn: | JHR | 1/20/15 |

Comments:

TITLE: Gwynedd Collection
Modern Thumbturn
with 3/16" Spindle

PART. NO.
46756 & 46757