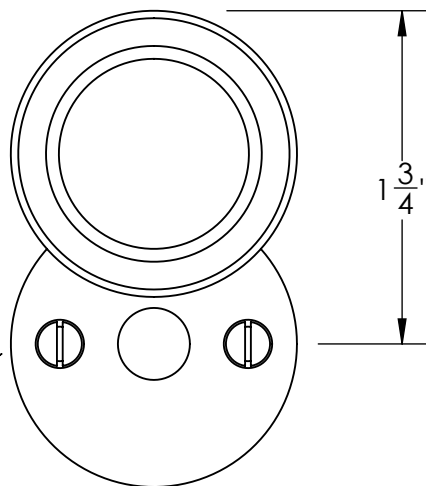


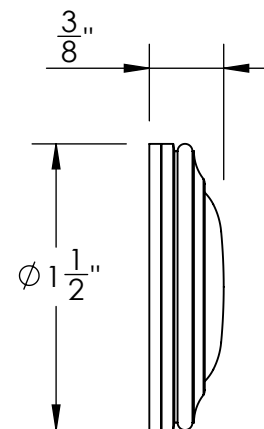
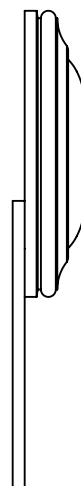
46665



#5 Screws



1 <sup>3</sup>/<sub>4</sub>"



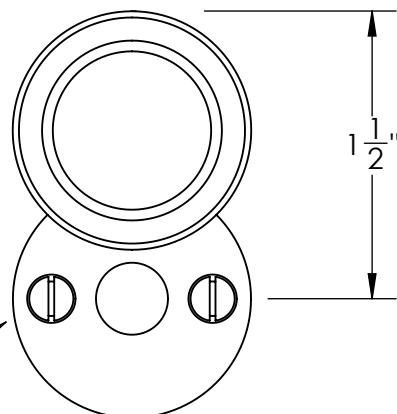
<sup>3</sup>/<sub>8</sub>"

∅ 1 <sup>1</sup>/<sub>2</sub>"

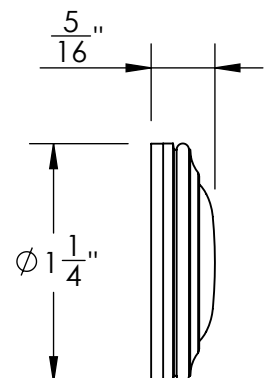
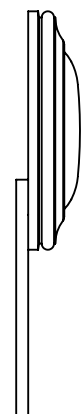
46666



#5 Screws



1 <sup>1</sup>/<sub>2</sub>"



<sup>5</sup>/<sub>16</sub>"

∅ 1 <sup>1</sup>/<sub>4</sub>"



Merit Metal Products Inc.  
242 Valley Road  
Warrington, PA 18976  
P 215-343-2500 F 215-343-4839

The information contained in this drawing is the sole intellectual property of Merit Metal Products. Any reproduction in part or as a whole without the written permission of Merit Metal Products is prohibited.

Unless Otherwise Specified:

Dimensions are in inches

All dimensions are from edge, theoretical sharp corner, or hole center.

	NAME	DATE
Drawn:	JHR	1/20/15

Comments:

TITLE: **Gwynedd Collection  
Emergency Key Escutcheon  
with Swivel Cover**

PART. NO.

**46665 & 46666**