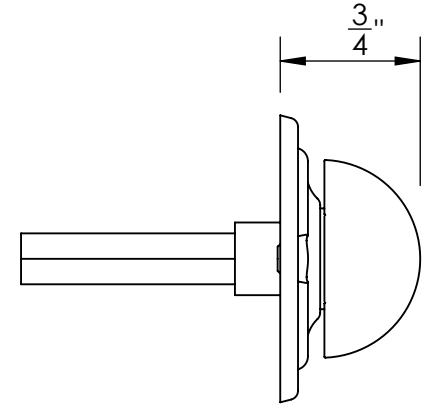
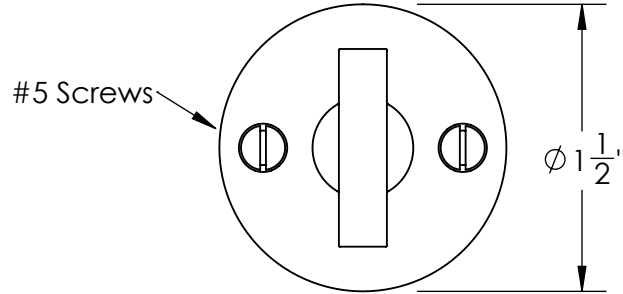
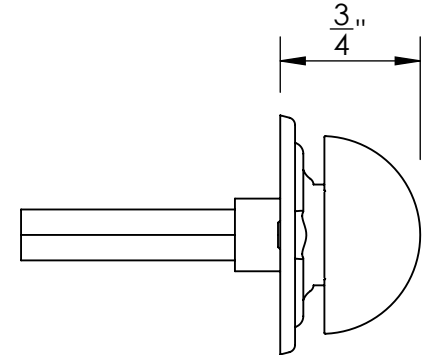
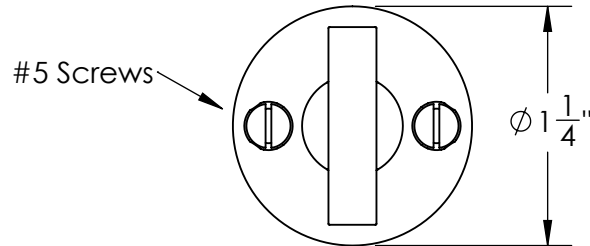


46056



46057



Merit Metal Products Inc.  
242 Valley Road  
Warrington, PA 18976  
P 215-343-2500 F 215-343-4839

The information contained in this drawing is the sole intellectual property of Merit Metal Products. Any reproduction in part or as a whole without the written permission of Merit Metal Products is prohibited.

Unless Otherwise Specified:  
Dimensions are in inches  
All dimensions are from edge, theoretical sharp corner, or hole center.

|           |      |         |
|-----------|------|---------|
|           | NAME | DATE    |
| Drawn:    | JHR  | 1/20/15 |
| Comments: |      |         |

TITLE:  
**Merion Collection  
Modern Thumbturn  
with 3/16" Spindle**

PART. NO.  
**46056 & 46057**