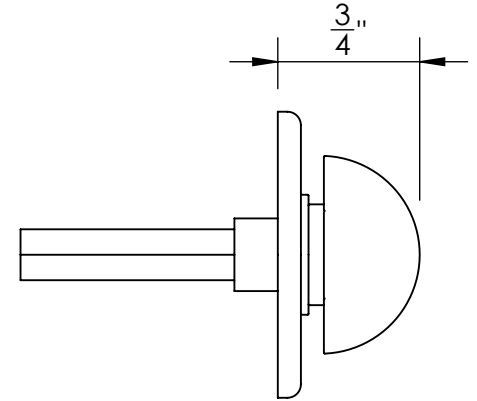
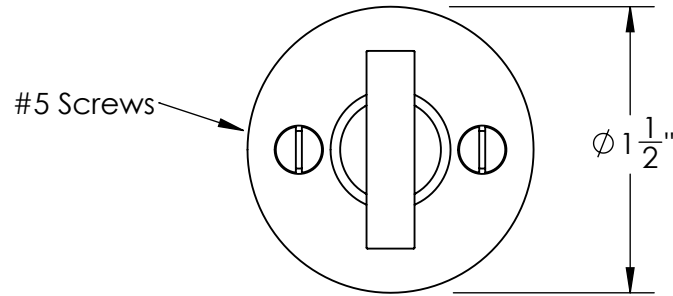
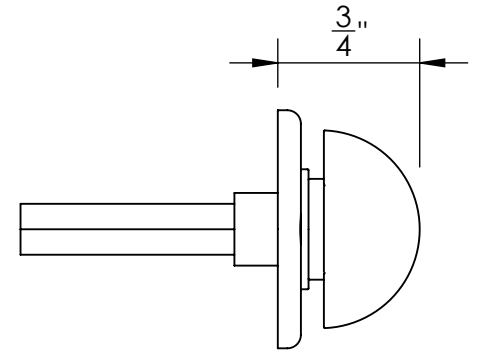
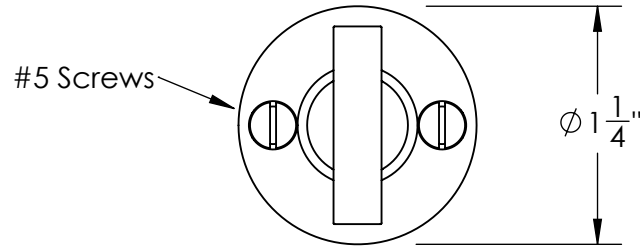


45356



45357



Merit Metal Products Inc.
 242 Valley Road
 Warrington, PA 18976
 P 215-343-2500 F 215-343-4839

The information contained in this drawing is the sole intellectual property of Merit Metal Products. Any reproduction in part or as a whole without the written permission of Merit Metal Products is prohibited.

Unless Otherwise Specified:
 Dimensions are in inches
 All dimensions are from edge, theoretical sharp corner, or hole center.

	NAME	DATE
Drawn:	JHR	1/20/15
Comments:		

TITLE: **Huntingdon Collection
 Modern Thumbturn
 with 3/16" Spindle**

PART. NO.
45356 & 45357