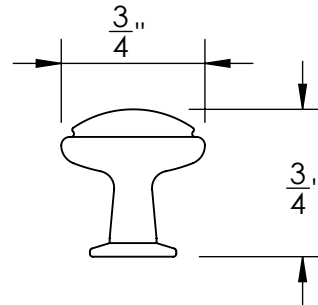
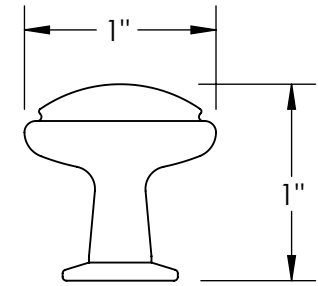


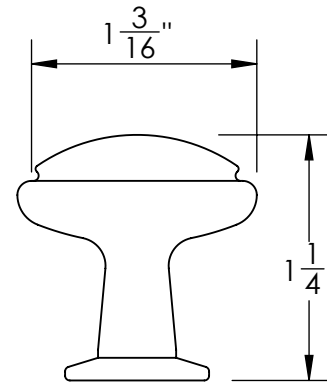
Hand Peened Finish



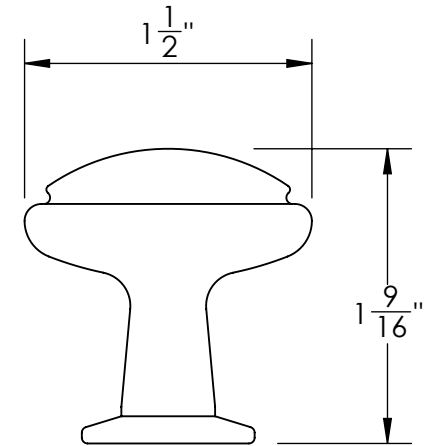
**44670-.75**



**44670-1**



**44670-1.25**



**44670-1.5**



Merit Metal Products Inc.  
242 Valley Road  
Warrington, PA 18976  
P 215-343-2500 F 215-343-4839

The information contained in this drawing is the sole intellectual property of Merit Metal Products. Any reproduction in part or as a whole without the written permission of Merit Metal Products is prohibited.

Unless Otherwise Specified:

Dimensions are in inches

All dimensions are from edge, theoretical sharp corner, or hole center.

	NAME	DATE
Drawn:	JHR	1/20/15

Comments:

TITLE:  
**Huntingdon Collection  
Cabinet Knob**

PART. NO.  
**44670-.75    44670-1  
44670-1.25    44670-1.5**