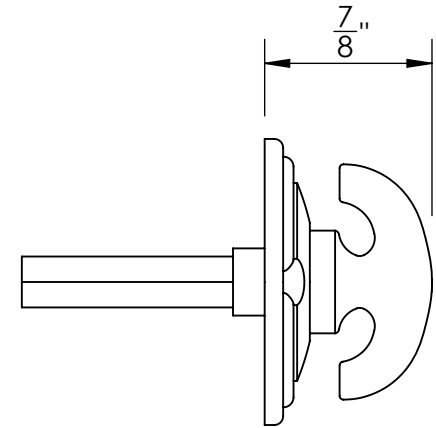
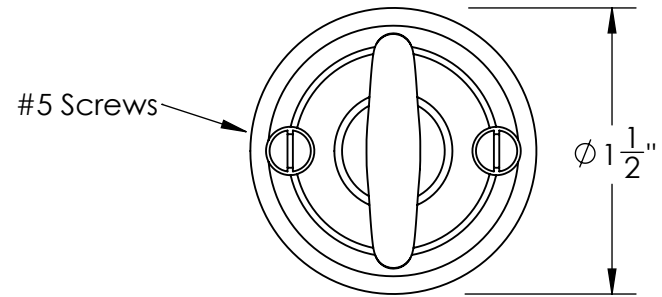
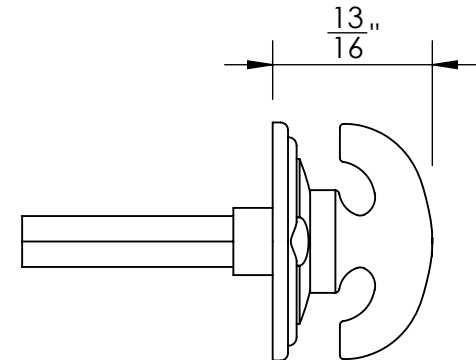
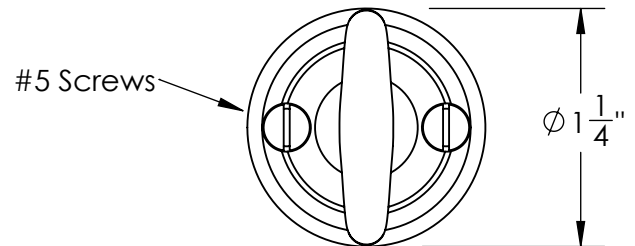


44550



44551



Merit Metal Products Inc.  
 242 Valley Road  
 Warrington, PA 18976  
 P 215-343-2500 F 215-343-4839

The information contained in this drawing is the sole intellectual property of Merit Metal Products. Any reproduction in part or as a whole without the written permission of Merit Metal Products is prohibited.

Unless Otherwise Specified:  
 Dimensions are in inches  
 All dimensions are from edge, theoretical sharp corner, or hole center.

	NAME	DATE
Drawn:	JHR	1/20/15

Comments:

TITLE: **Huntingdon Collection  
 Crescent Thumbturn  
 with 3/16" Spindle**

PART. NO.  
**44550 & 44551**