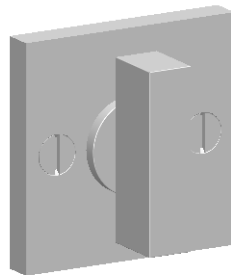
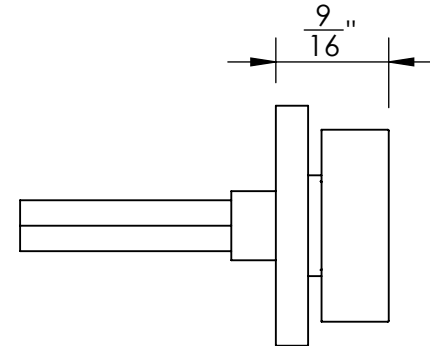
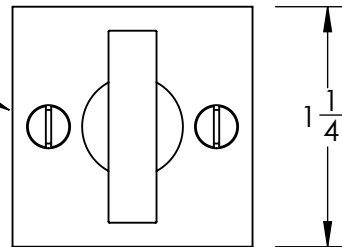


**42257REC**



#4 Screws



Merit Metal Products Inc.  
252 Valley Road  
Warrington, PA 18976  
P 215-353-2500 F 215-353-5839

The information contained in this drawing is the sole intellectual property of Merit Metal Products. Any reproduction in part or as a whole without the written permission of Merit Metal Products is prohibited.

Unless Otherwise Specified:

Dimensions are in inches

All dimensions are from edge, theoretical sharp corner, or hole center.

	NAME	DATE
Drawn:	JHR	1/20/15

Comments:

TITLE: **Warrington Collection  
Rectangular Thumbturn  
with 3/16" Spindle**

PART. NO.  
**42257REC**