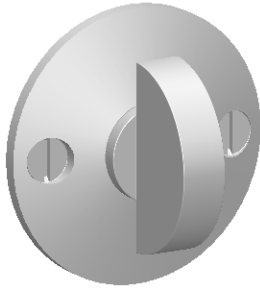
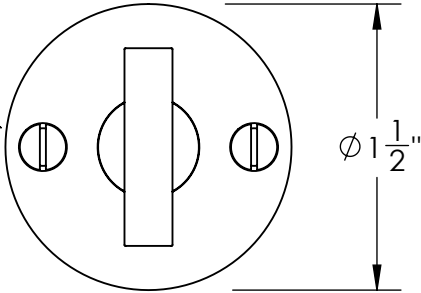


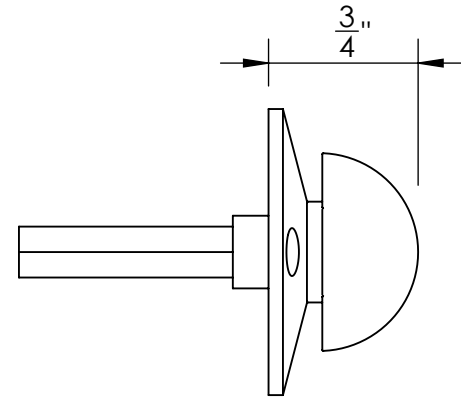
40556



#5 Screws

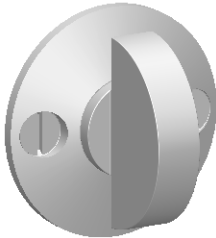


$\phi 1 \frac{1}{2}$ "

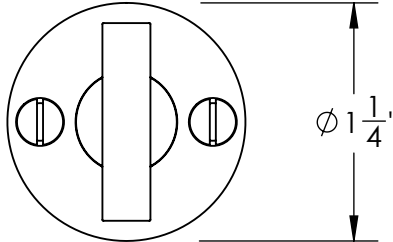


$\frac{3}{4}$ "

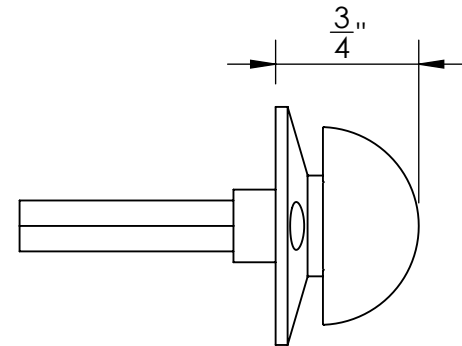
40557



#5 Screws



$\phi 1 \frac{1}{4}$ "



$\frac{3}{4}$ "



EST. 1876

Merit Metal Products Inc.
242 Valley Road
Warrington, PA 18976
P 215-343-2500 F 215-343-4839

The information contained in this drawing is the sole intellectual property of Merit Metal Products. Any reproduction in part or as a whole without the written permission of Merit Metal Products is prohibited.

Unless Otherwise Specified:

Dimensions are in inches

All dimensions are from edge, theoretical sharp corner, or hole center.

	NAME	DATE
Drawn:	JHR	1/20/15

Comments:

TITLE: **Warrington Collection
Modern Thumbturn
with 3/16" Spindle**

PART. NO.
40556 & 40557