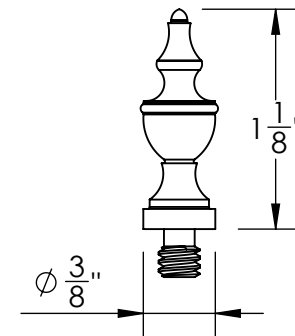
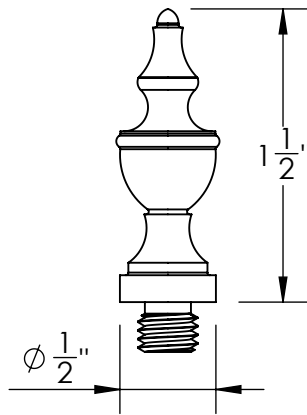


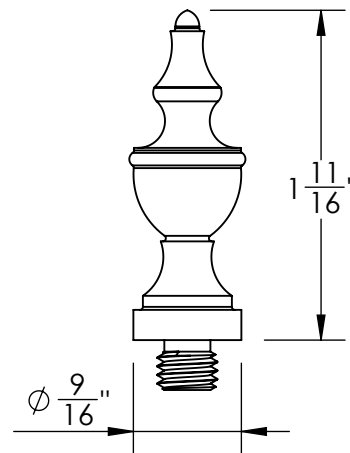
274-1



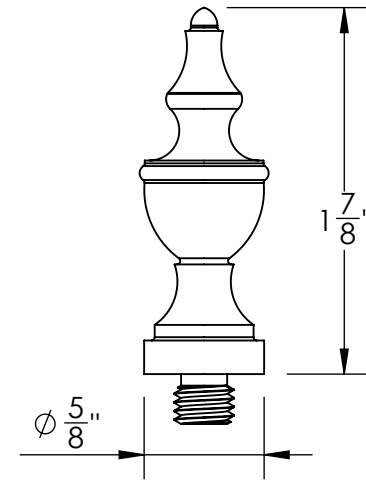
274-2



274-3



274-4



274-5



Merit Metal Products Inc.
242 Valley Road
Warrington, PA 18976
P 215-343-2500 F 215-343-4839

The information contained in this drawing is the sole intellectual property of Merit Metal Products. Any reproduction in part or as a whole without the written permission of Merit Metal Products is prohibited.

Unless Otherwise Specified:

Dimensions are in inches

All dimensions are from edge, theoretical sharp corner, or hole center.

| | | |
|--------|------|---------|
| | NAME | DATE |
| Drawn: | SKP | 2/27/15 |

Comments:

TITLE:
Urn Finial

| | | |
|-----------|--------------|--------------|
| PART. NO. | 274-1 | 274-4 |
| | 274-2 | 274-5 |
| | 274-3 | |