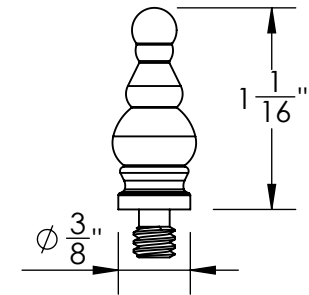
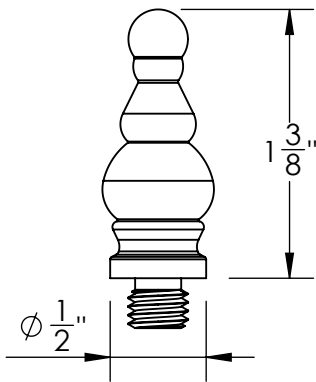


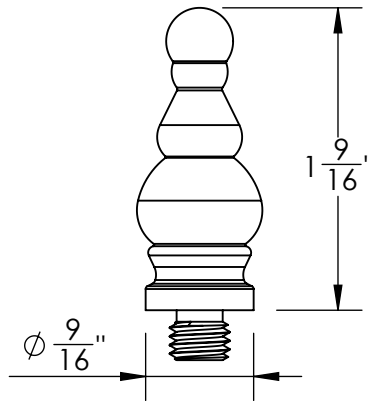
247-1



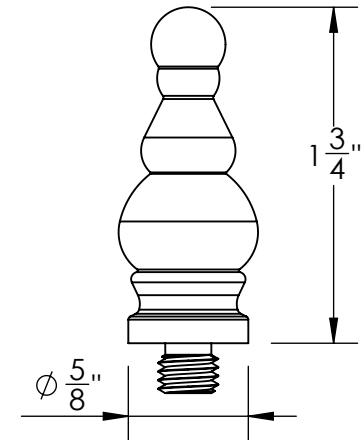
247-2



247-3



247-4



247-5



Merit Metal Products Inc.
242 Valley Road
Warrington, PA 18976
P 215-343-2500 F 215-343-4839

The information contained in this drawing is the sole intellectual property of Merit Metal Products. Any reproduction in part or as a whole without the written permission of Merit Metal Products is prohibited.

Unless Otherwise Specified:

Dimensions are in inches

All dimensions are from edge, theoretical sharp corner, or hole center.

	NAME	DATE
Drawn:	SKP	2/27/15

Comments:

TITLE:
Cascade Finial

PART. NO. **247-1** **247-4**
247-2 **247-5**
247-3