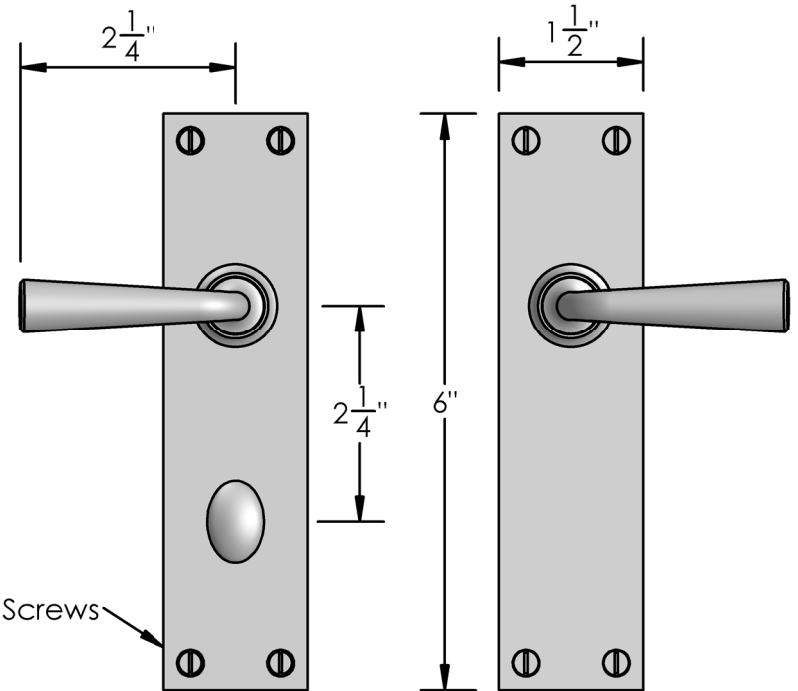
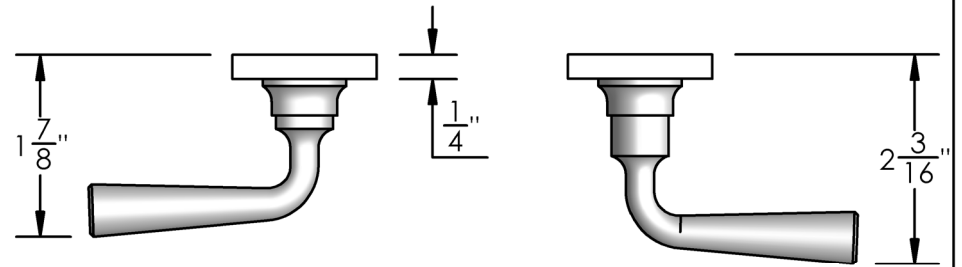


**Mortise Lock**  
 1½", 1¾", and 2"  
 backsets available

**Strike**

**Top View**



**Inside**

**Outside**



Merit Metal Products Inc.  
 242 Valley Road  
 Warrington, PA 18976  
 P 215-343-2500 F 215-343-4839

The information contained in this drawing is the sole intellectual property of Merit Metal Products. Any reproduction in part or as a whole without the written permission of Merit Metal Products is prohibited.

Unless Otherwise Specified:

Dimensions are in inches

All dimensions are from edge, theoretical sharp corner, or hole center.

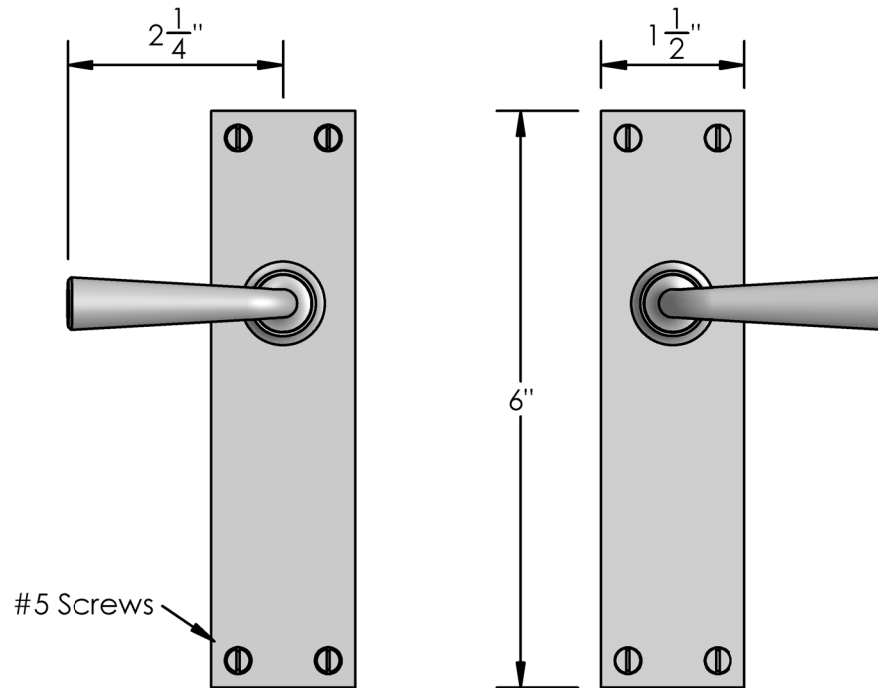
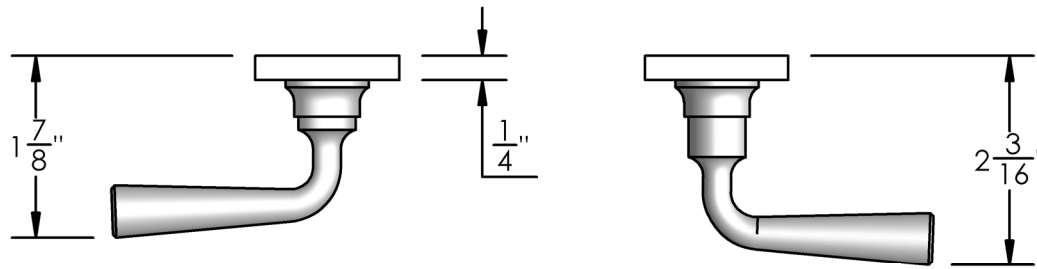
	NAME	DATE
Drawn:	JHR	1/20/15

Comments:  
 Must specify handing of outside lever when ordering

TITLE: **Mortise Screen Door Latch Set - Thumbturn Privacy Function - 514 Slab Style Escutcheon Plates**

PART. NO.  
**20372LL**

**Top View**



#5 Screws

**Inside**

**Outside**



Merit Metal Products Inc.  
242 Valley Road  
Warrington, PA 18976  
P 215-343-2500 F 215-343-4839

The information contained in this drawing is the sole intellectual property of Merit Metal Products. Any reproduction in part or as a whole without the written permission of Merit Metal Products is prohibited.

Unless Otherwise Specified:

Dimensions are in inches

All dimensions are from edge, theoretical sharp corner, or hole center.

	NAME	DATE
Drawn:	SKP	1/20/15

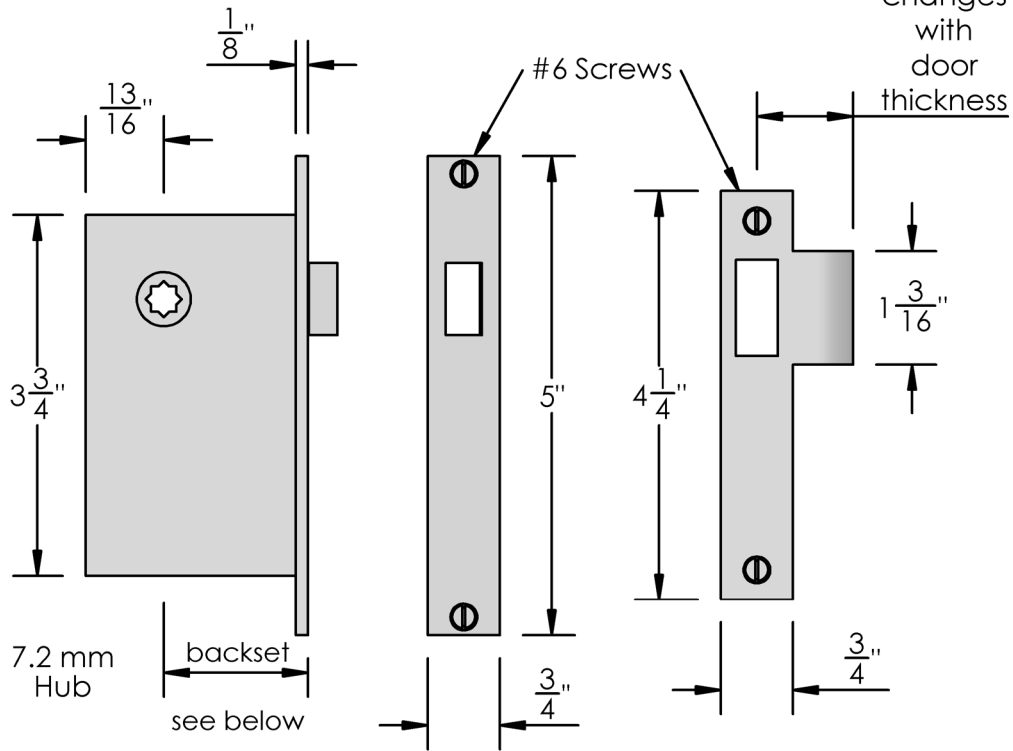
Comments:

Must specify handing of outside lever when ordering

TITLE: **Mortise Screen Door Dummy Trim Lever - Lever 514 Escutcheon**

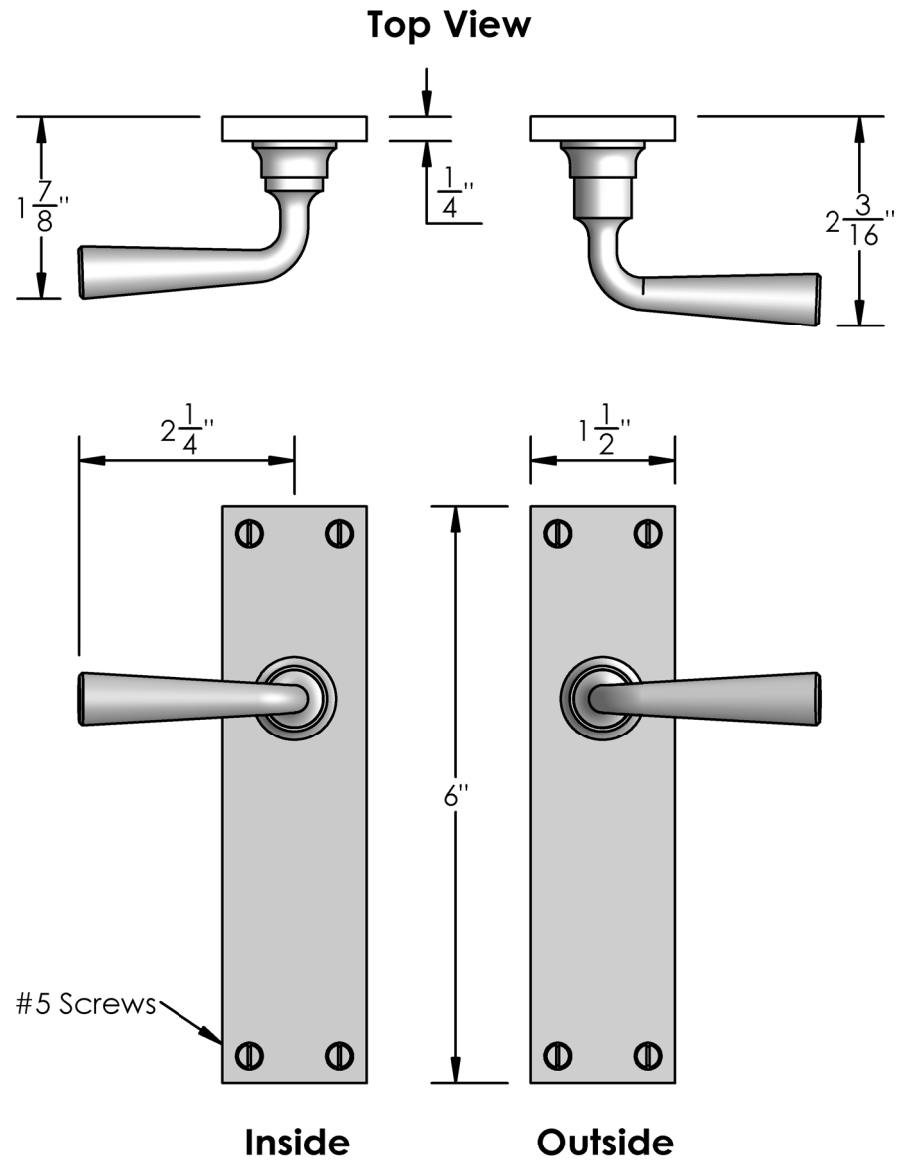
PART. NO.

**20372LLD**



**Mortise Lock**  
 1½", 1¾", and 2"  
 backsets available

**Strike**



**Inside**

**Outside**



Merit Metal Products Inc.  
 242 Valley Road  
 Warrington, PA 18976  
 P 215-343-2500 F 215-343-4839

The information contained in this drawing is the sole intellectual property of Merit Metal Products. Any reproduction in part or as a whole without the written permission of Merit Metal Products is prohibited.

Unless Otherwise Specified:

Dimensions are in inches

All dimensions are from edge, theoretical sharp corner, or hole center.

	NAME	DATE
Drawn:	SKP	1/20/15

Comments:  
 Must specify handing of outside lever when ordering

TITLE: **Mortise Screen Door Latch Set - Passage Function - 514 Slab Style Escutcheon Plates**

PART. NO.  
**20372LLP**