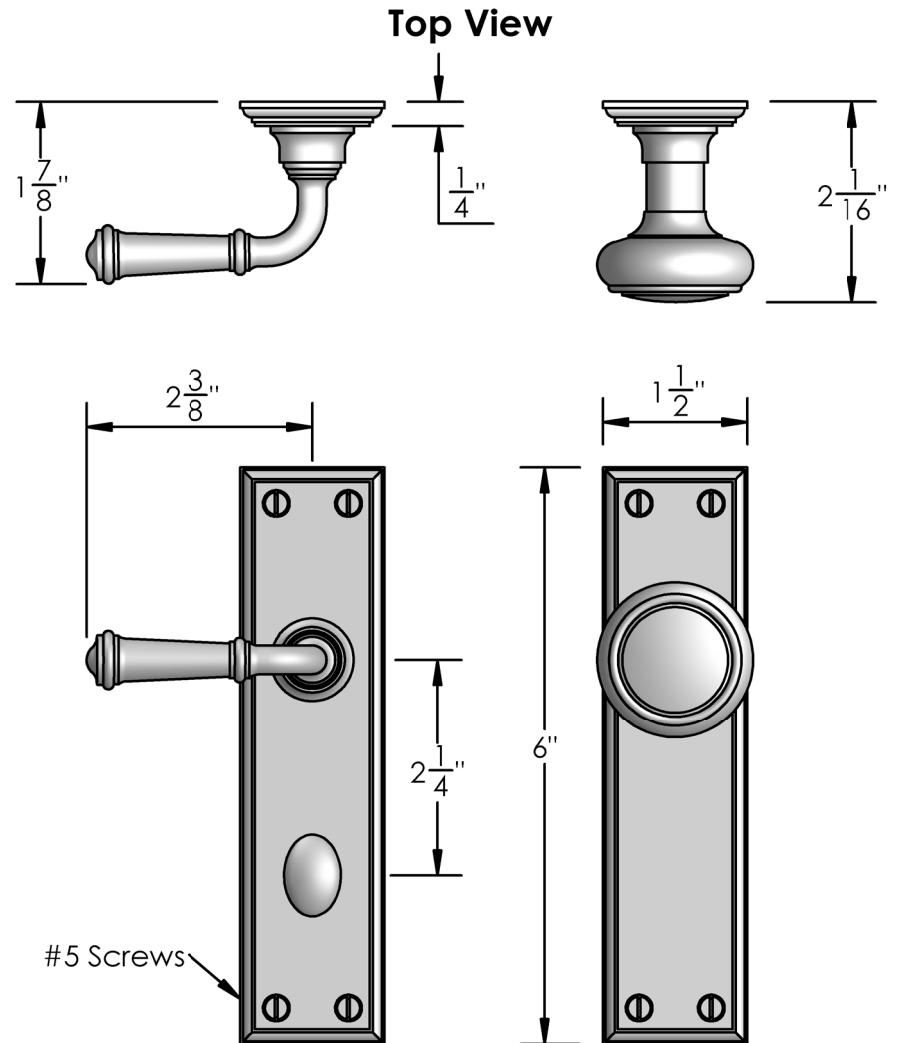


**Mortise Lock**  
 1½", 1¾", and 2"  
 backsets available

**Strike**



**Top View**

#5 Screws

**Inside**

**Outside**



Merit Metal Products Inc.  
 242 Valley Road  
 Warrington, PA 18976  
 P 215-343-2500 F 215-343-4839

The information contained in this drawing is the sole intellectual property of Merit Metal Products. Any reproduction in part or as a whole without the written permission of Merit Metal Products is prohibited.

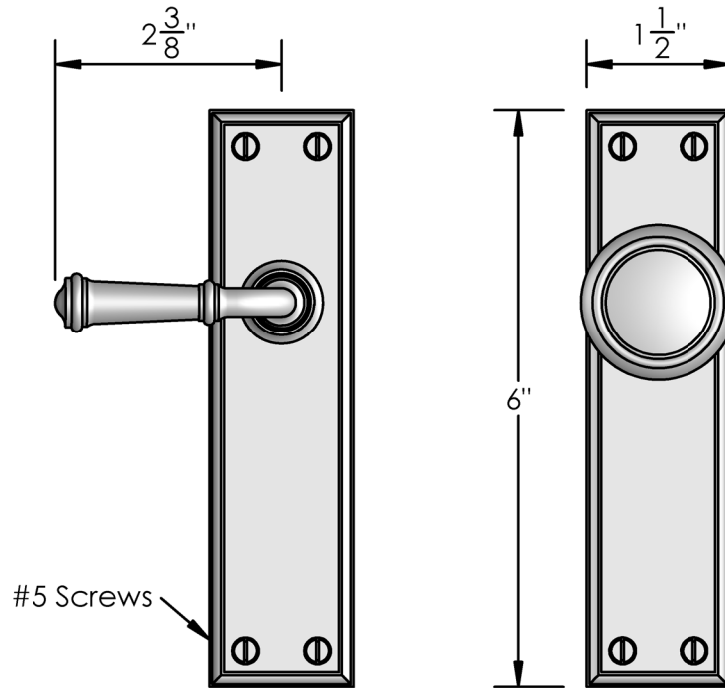
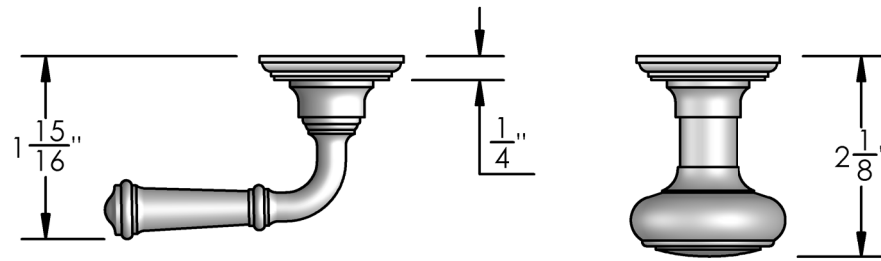
Unless Otherwise Specified:  
 Dimensions are in inches  
 All dimensions are from edge, theoretical sharp corner, or hole center.

	NAME	DATE
Drawn:	JHR	1/20/15
Comments:		

TITLE: **Mortise Screen Door Latch Set - Thumbturn Privacy Function - Rectangular 510 Style Escutcheon Plates**

PART. NO.  
**20369LK**

**Top View**



**Inside**

**Outside**



Merit Metal Products Inc.  
242 Valley Road  
Warrington, PA 18976  
P 215-343-2500 F 215-343-4839

The information contained in this drawing is the sole intellectual property of Merit Metal Products. Any reproduction in part or as a whole without the written permission of Merit Metal Products is prohibited.

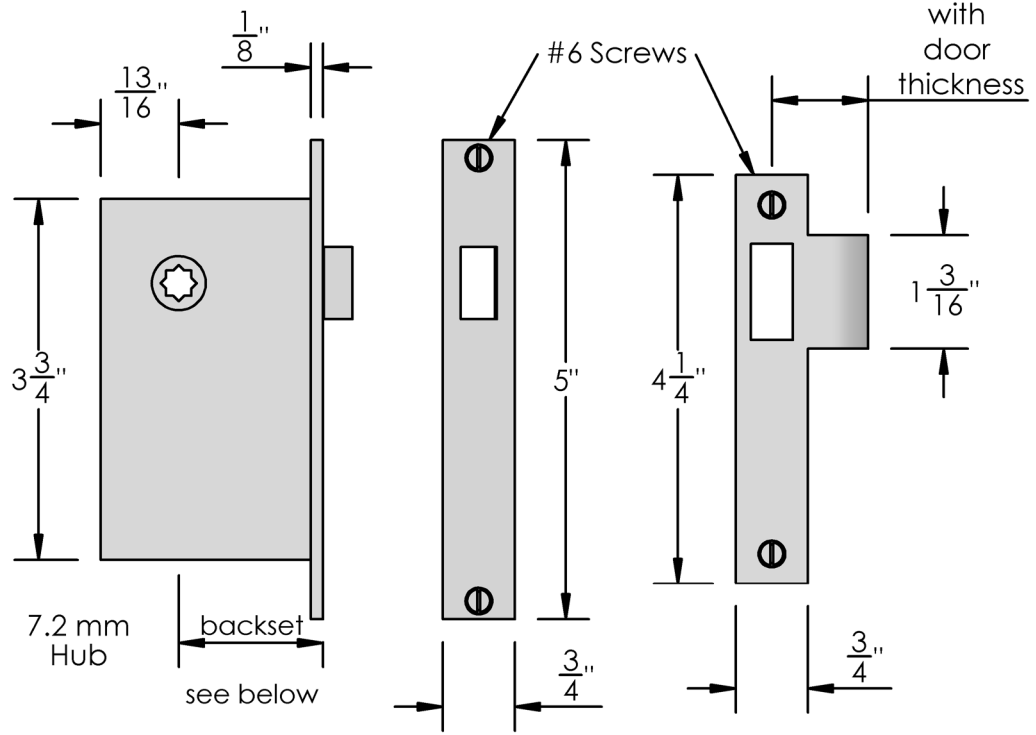
Unless Otherwise Specified:  
Dimensions are in inches  
All dimensions are from edge, theoretical sharp corner, or hole center.

	NAME	DATE
Drawn:	JHR	1/20/15

Comments:

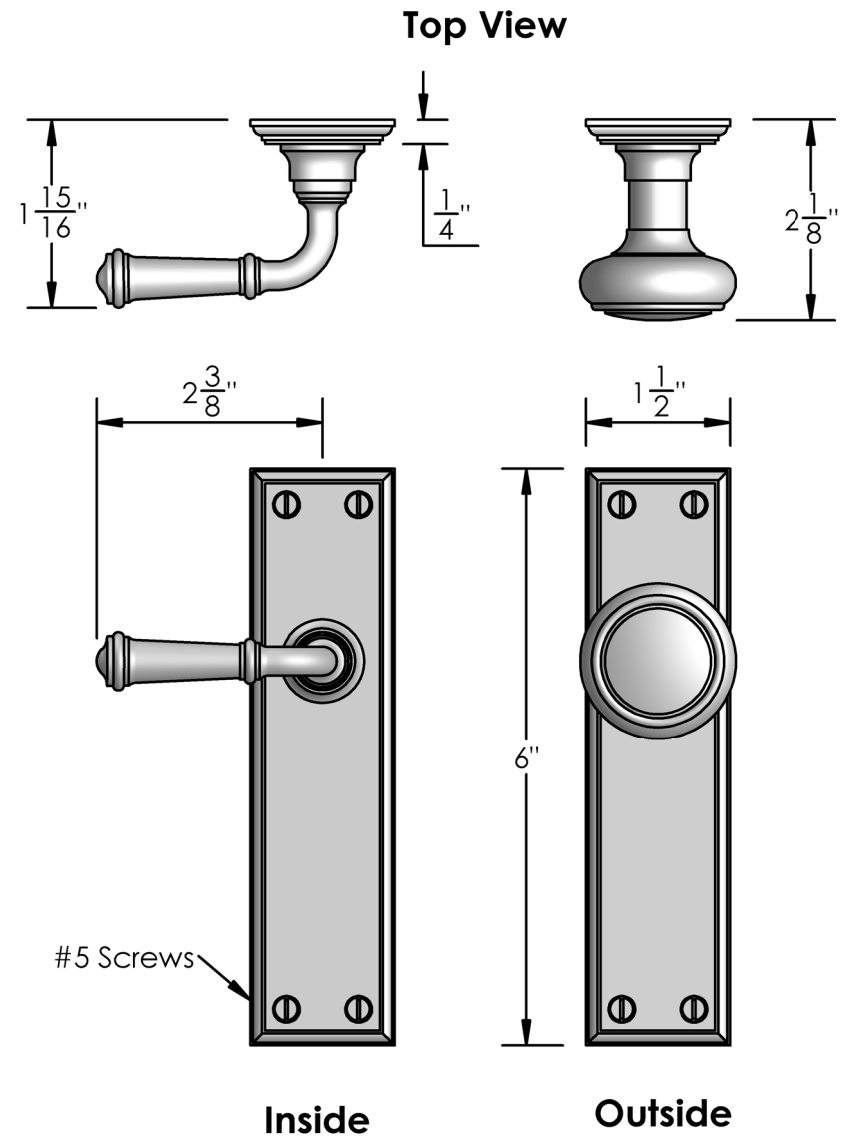
TITLE: **Mortise Screen Door  
Dummy Trim  
Lever - Knob  
510 Escutcheon**

PART. NO.  
**20369LKD**



**Mortise Lock**  
 $1\frac{1}{2}$ ",  $1\frac{3}{4}$ ", and 2"  
 backsets available

**Strike**



**Inside**

**Outside**

**MERIT**  
 EST. 1876  
 Merit Metal Products Inc.  
 242 Valley Road  
 Warrington, PA 18976  
 P 215-343-2500 F 215-343-4839

The information contained in this drawing is the sole intellectual property of Merit Metal Products. Any reproduction in part or as a whole without the written permission of Merit Metal Products is prohibited.

Unless Otherwise Specified:  
 Dimensions are in inches  
 All dimensions are from edge, theoretical sharp corner, or hole center.

	NAME	DATE
Drawn:	SKP	1/20/15
Comments:		

TITLE: **Mortise Screen Door Latch Set - Passage Function - Rectangular 510 Style Escutcheon Plates**

PART. NO.  
**20369LKP**