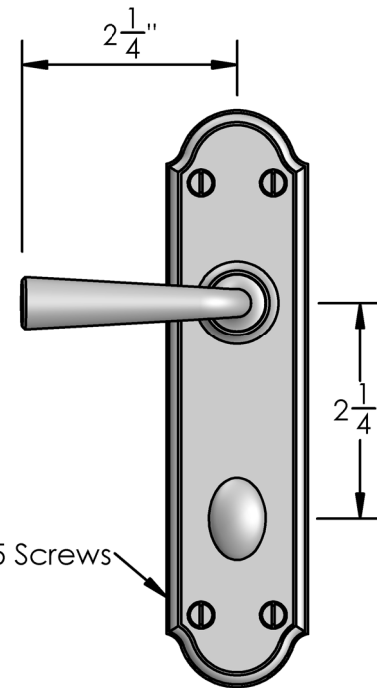
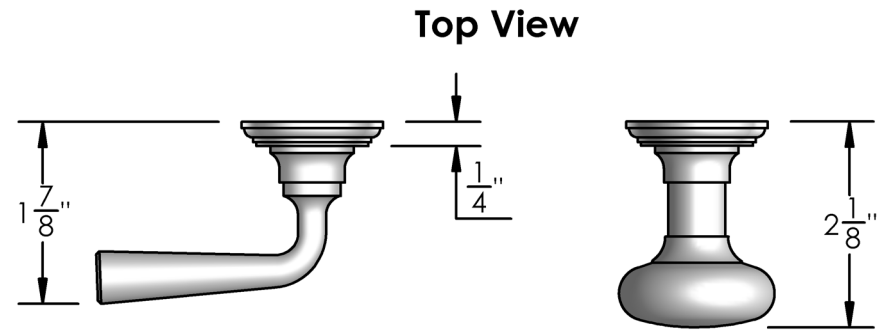
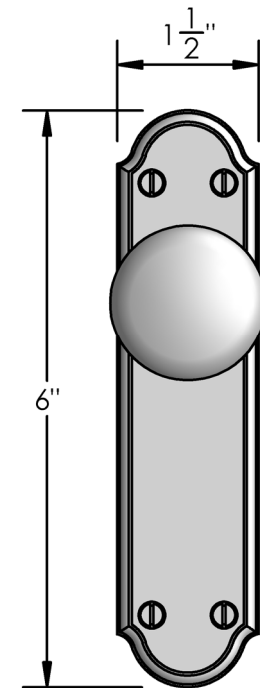


Mortise Lock
 1 1/2", 1 3/4", and 2"
 backsets available

Strike



Inside



Outside



Merit Metal Products Inc.
 242 Valley Road
 Warrington, PA 18976
 P 215-343-2500 F 215-343-4839

The information contained in this drawing is the sole intellectual property of Merit Metal Products. Any reproduction in part or as a whole without the written permission of Merit Metal Products is prohibited.

Unless Otherwise Specified:
 Dimensions are in inches
 All dimensions are from edge, theoretical sharp corner, or hole center.

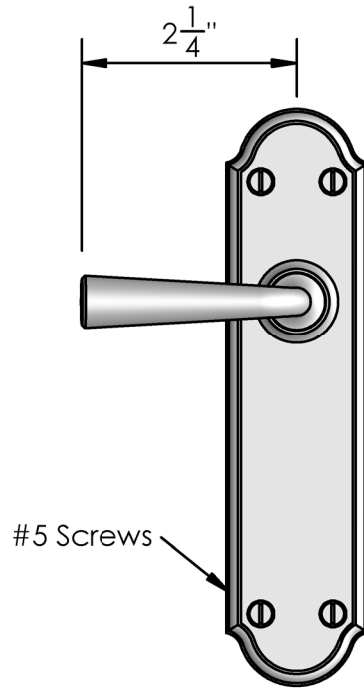
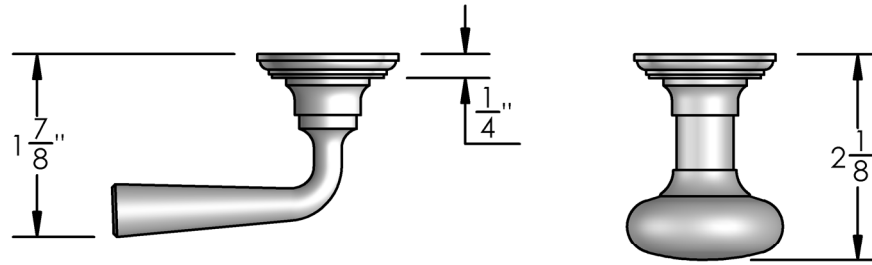
	NAME	DATE
Drawn:	JHR	1/20/15

Comments:

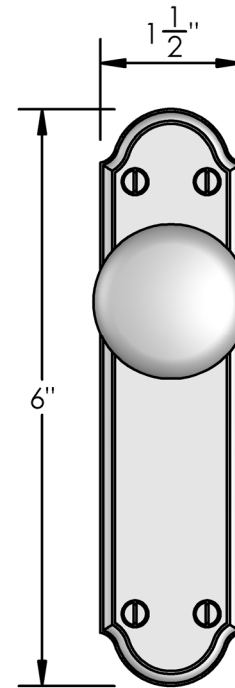
TITLE: **Mortise Screen Door Latch Set - Thumbturn Privacy Function - Scalloped 511 Style Escutcheon Plates**

PART. NO.
20361LK

Top View



Inside



Outside



Merit Metal Products Inc.
242 Valley Road
Warrington, PA 18976
P 215-343-2500 F 215-343-4839

The information contained in this drawing is the sole intellectual property of Merit Metal Products. Any reproduction in part or as a whole without the written permission of Merit Metal Products is prohibited.

Unless Otherwise Specified:

Dimensions are in inches

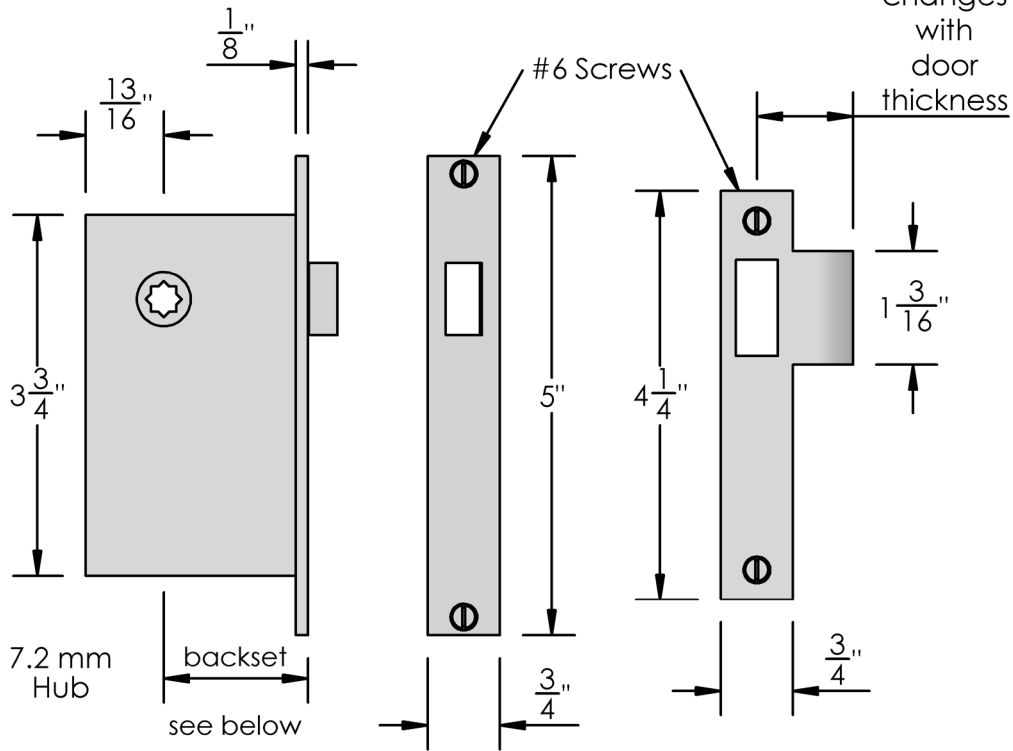
All dimensions are from edge, theoretical sharp corner, or hole center.

	NAME	DATE
Drawn:	JHR	1/20/15

Comments:

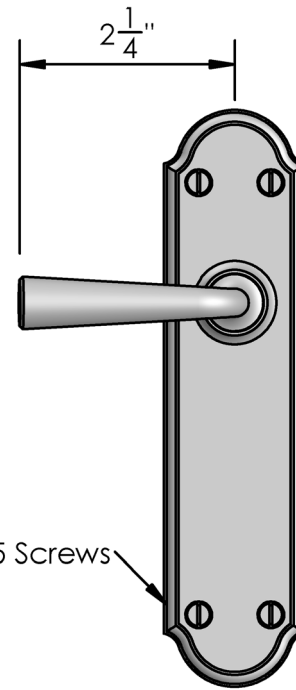
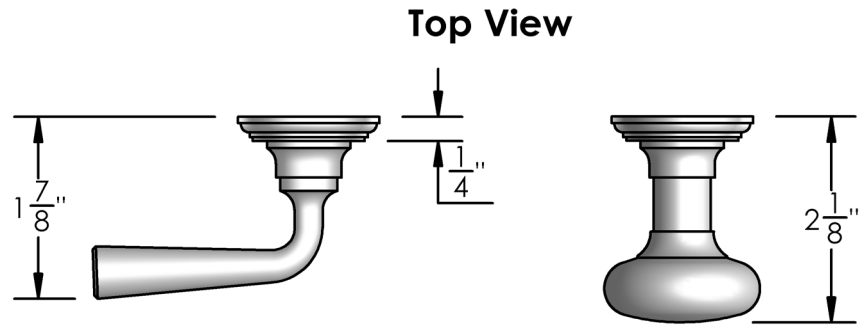
TITLE: **Mortise Screen Door
Dummy Trim
Lever - Knob
511 Escutcheon**

PART. NO.
20361LKD

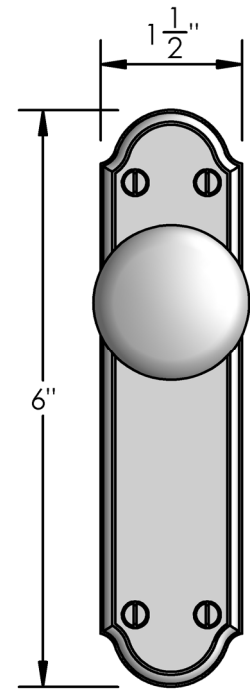


Mortise Lock
 1½", 1¾", and 2"
 backsets available

Strike



Inside



Outside



Merit Metal Products Inc.
 242 Valley Road
 Warrington, PA 18976
 P 215-343-2500 F 215-343-4839

The information contained in this drawing is the sole intellectual property of Merit Metal Products. Any reproduction in part or as a whole without the written permission of Merit Metal Products is prohibited.

Unless Otherwise Specified:
 Dimensions are in inches
 All dimensions are from edge, theoretical sharp corner, or hole center.

	NAME	DATE
Drawn:	SKP	1/20/15

Comments:

TITLE: **Mortise Screen Door Latch Set - Passage Function - Scalloped 511 Style Escutcheon Plates**

PART. NO.
20361LKP