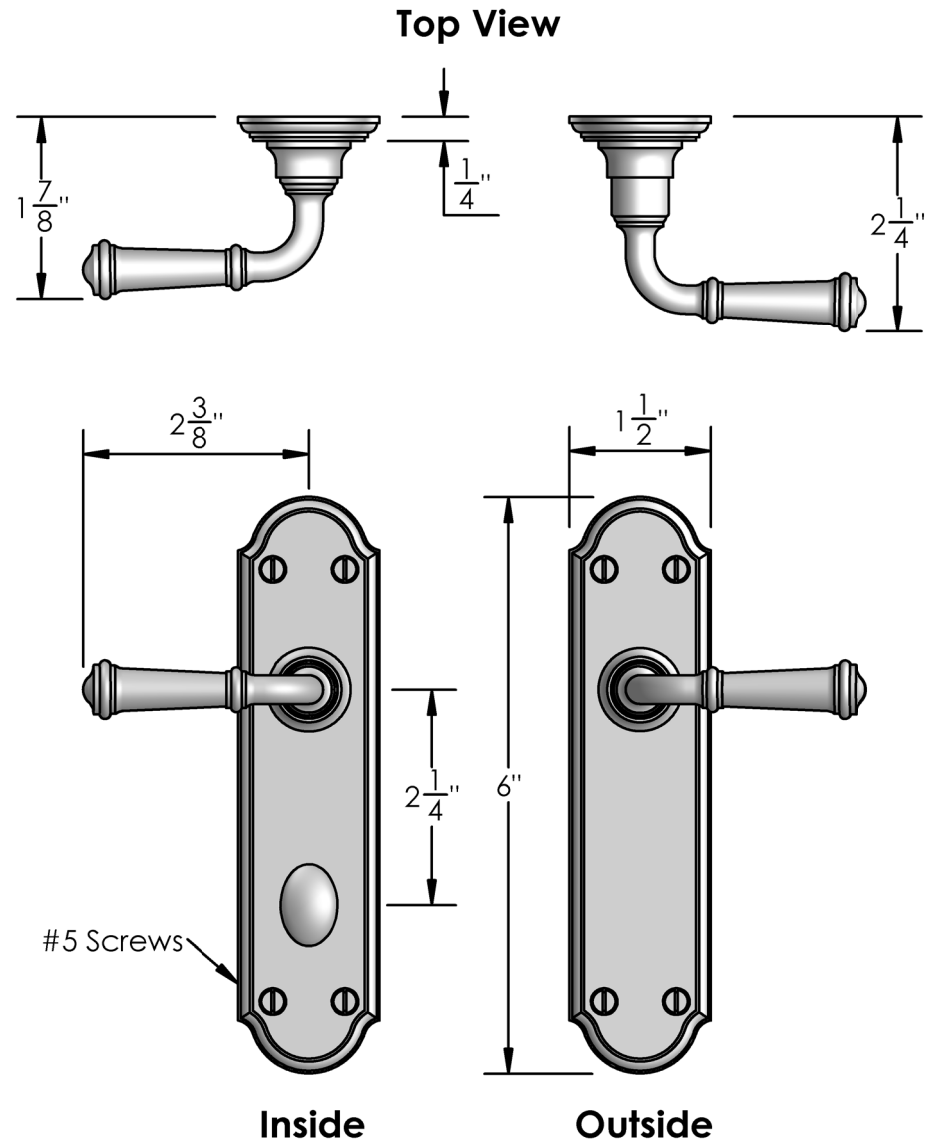


Mortise Lock
 1½", 1¾", and 2"
 backsets available

Strike



#5 Screws

Inside

Outside



Merit Metal Products Inc.
 242 Valley Road
 Warrington, PA 18976
 P 215-343-2500 F 215-343-4839

The information contained in this drawing is the sole intellectual property of Merit Metal Products. Any reproduction in part or as a whole without the written permission of Merit Metal Products is prohibited.

Unless Otherwise Specified:

Dimensions are in inches

All dimensions are from edge, theoretical sharp corner, or hole center.

	NAME	DATE
Drawn:	JHR	1/20/15

Comments:

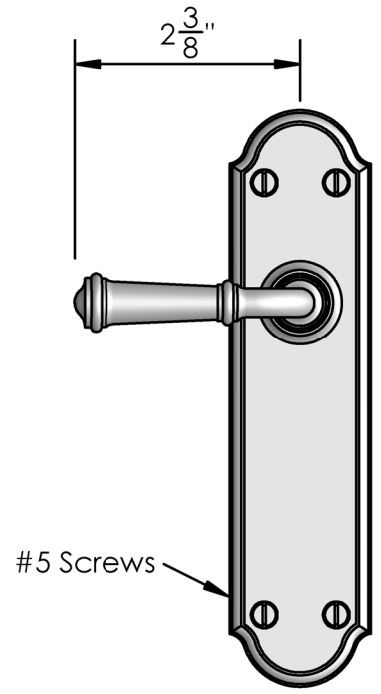
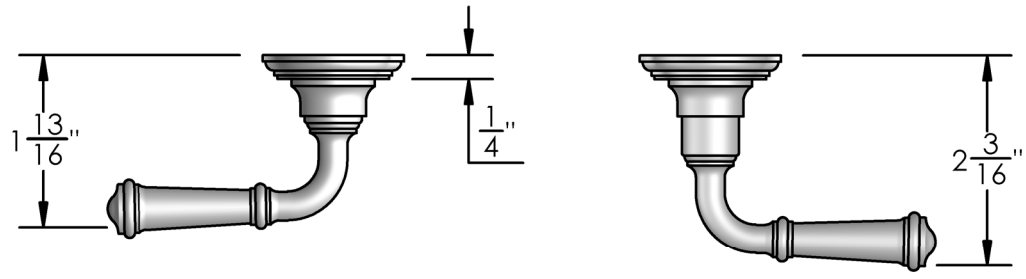
Must specify
 handing of outside
 lever when ordering

TITLE: **Mortise Screen Door Latch Set - Thumbturn Privacy Function - Scalloped 511 Style Escutcheon Plates**

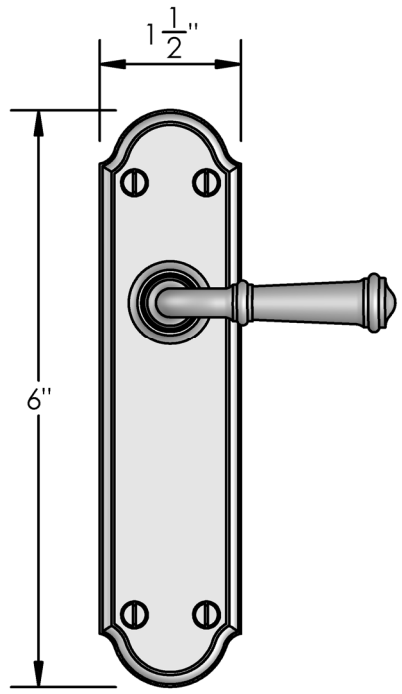
PART. NO.

20360LL

Top View



Inside



Outside

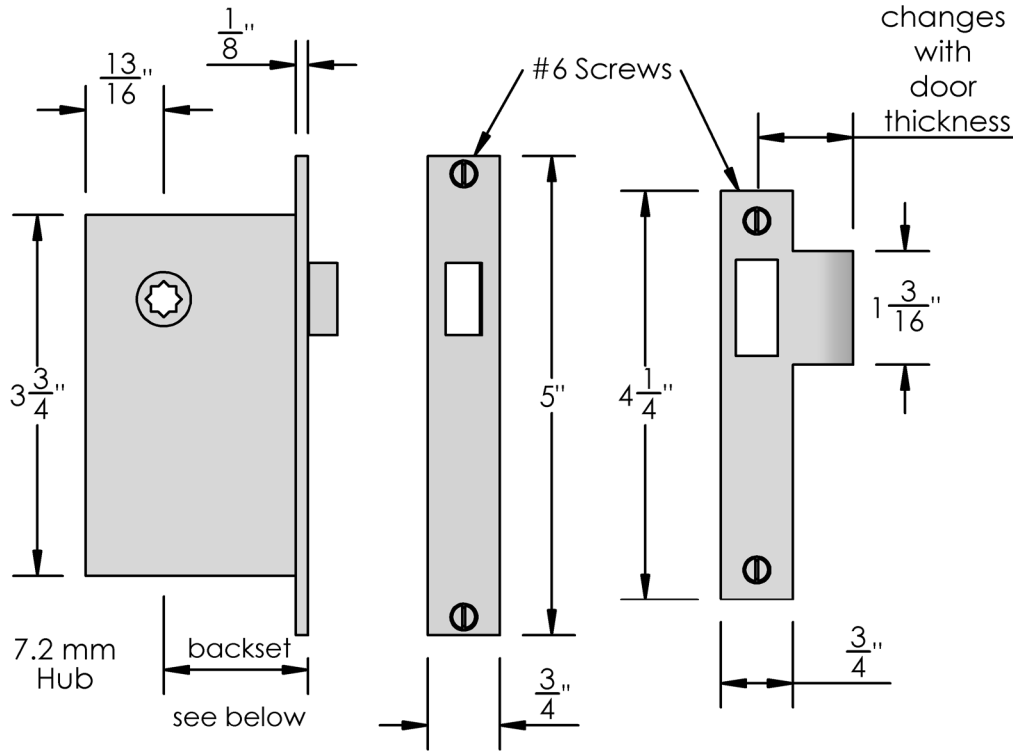
MERIT
EST. 1876
Merit Metal Products Inc.
242 Valley Road
Warrington, PA 18976
P 215-343-2500 F 215-343-4839

The information contained in this drawing is the sole intellectual property of Merit Metal Products. Any reproduction in part or as a whole without the written permission of Merit Metal Products is prohibited.

Unless Otherwise Specified:
Dimensions are in inches
All dimensions are from edge, theoretical sharp corner, or hole center.

	NAME	DATE
Drawn:	JHR	1/20/15
Comments: Must specify handing of outside lever when ordering		

TITLE:	Mortise Screen Door Dummy Trim Lever - Lever 511 Escutcheon
PART. NO.	20360LLD

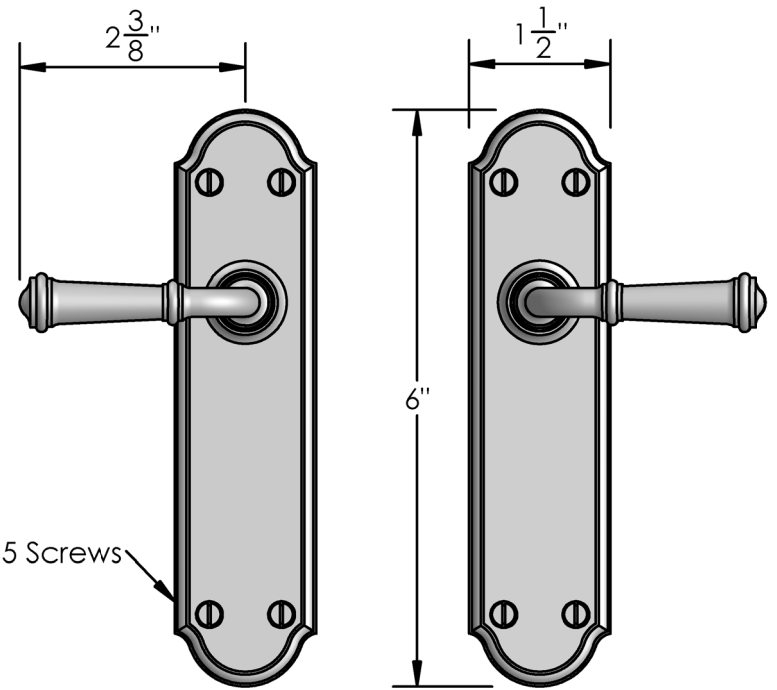
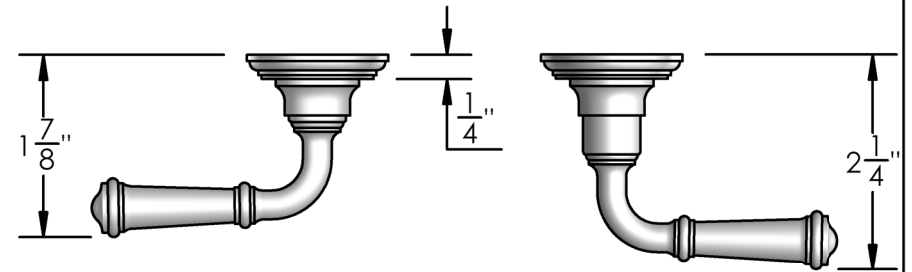


Mortise Lock

1½", 1¾", and 2"
backsets available

Strike

Top View



Inside

Outside



Merit Metal Products Inc.
242 Valley Road
Warrington, PA 18976
P 215-343-2500 F 215-343-4839

The information contained in this drawing is the sole intellectual property of Merit Metal Products. Any reproduction in part or as a whole without the written permission of Merit Metal Products is prohibited.

Unless Otherwise Specified:
Dimensions are in inches
All dimensions are from edge, theoretical sharp corner, or hole center.

	NAME	DATE
Drawn:	SKP	1/20/15

Comments:
Must specify handing of outside lever when ordering

TITLE: **Mortise Screen Door Latch Set - Passage Function - Scalloped 511 Style Escutcheon Plates**

PART. NO.
20360LLP