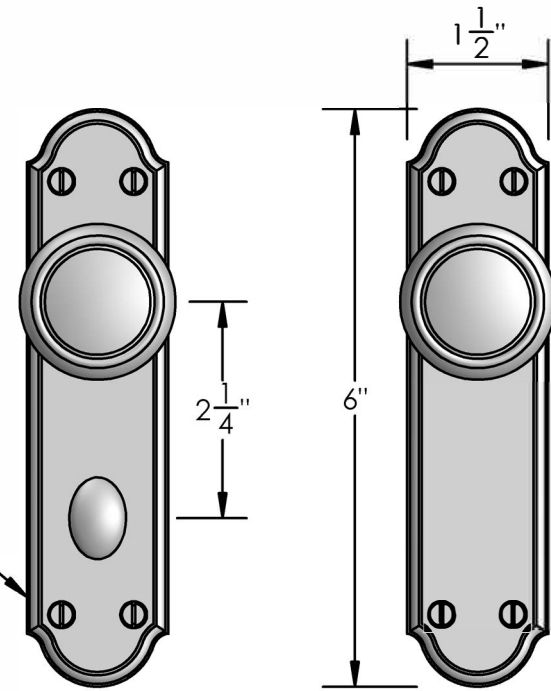
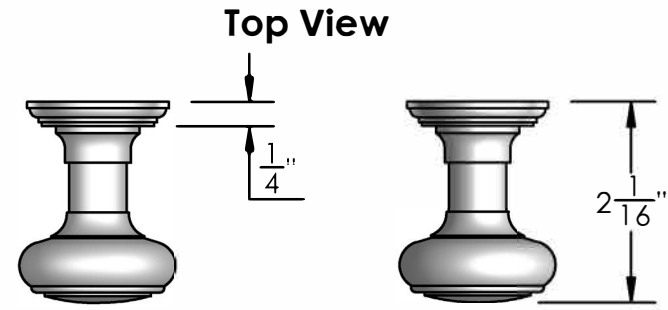


Mortise Lock
 1 1/2", 1 3/4", and 2"
 backsets available

Strike



Inside

Outside



Merit Metal Products Inc.
 242 Valley Road
 Warrington, PA 18976
 P 215-343-2500 F 215-343-4839

The information contained in this drawing is the sole intellectual property of Merit Metal Products. Any reproduction in part or as a whole without the written permission of Merit Metal Products is prohibited.

Unless Otherwise Specified:

Dimensions are in inches

All dimensions are from edge, theoretical sharp corner, or hole center.

	NAME	DATE
Drawn:	JHR	1/20/15

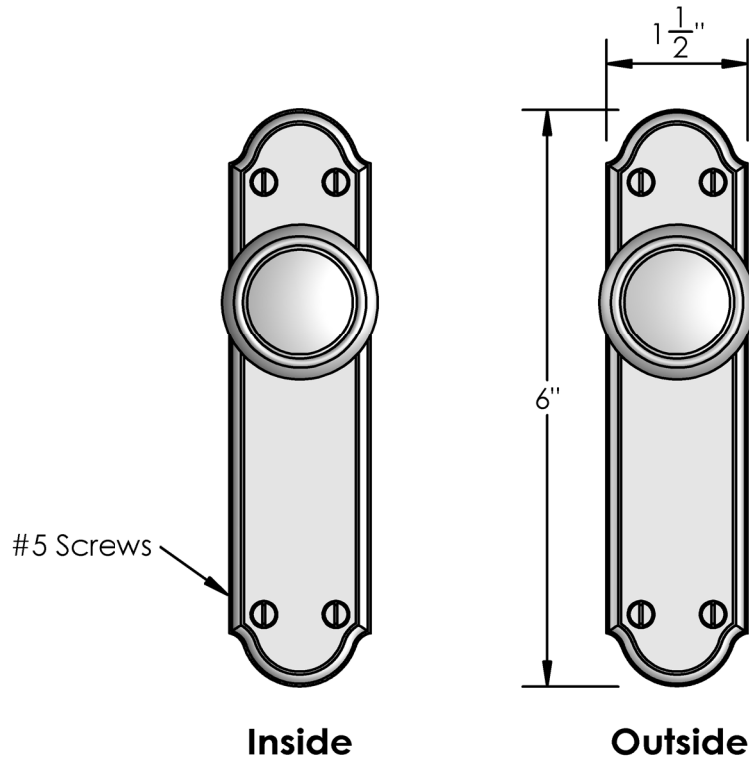
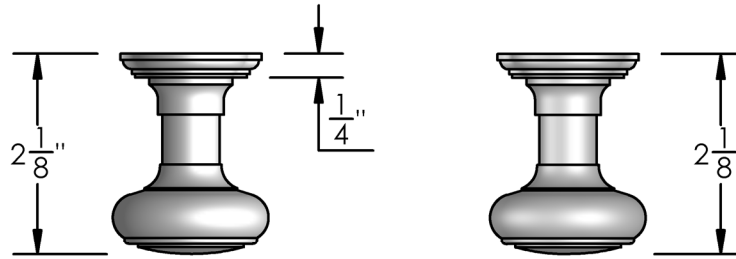
Comments:

TITLE: **Mortise Screen Door Latch Set - Thumbturn Privacy Function - Scalloped 511 Style Escutcheon Plates**

PART. NO.

20360KK

Top View



Inside

Outside



Merit Metal Products Inc.
242 Valley Road
Warrington, PA 18976
P 215-343-2500 F 215-343-4839

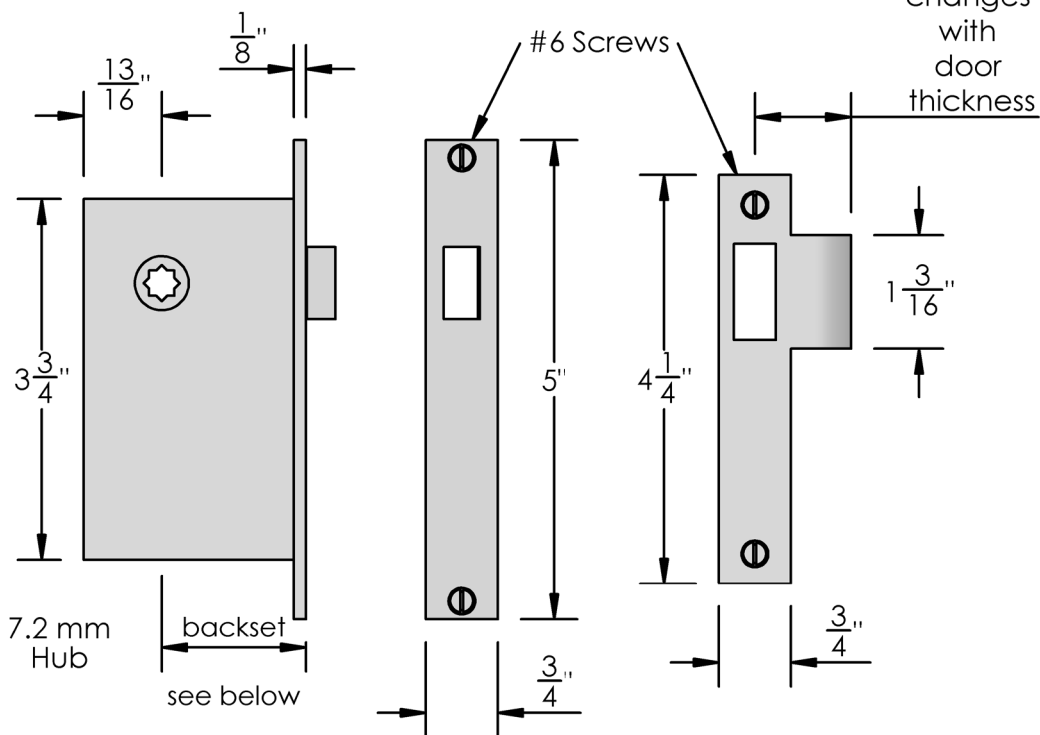
The information contained in this drawing is the sole intellectual property of Merit Metal Products. Any reproduction in part or as a whole without the written permission of Merit Metal Products is prohibited.

Unless Otherwise Specified:
Dimensions are in inches
All dimensions are from edge, theoretical sharp corner, or hole center.

	NAME	DATE
Drawn:	JHR	1/20/15
Comments:		

TITLE: **Mortise Screen Door
Dummy Trim
Knob - Knob
511 Escutcheon**

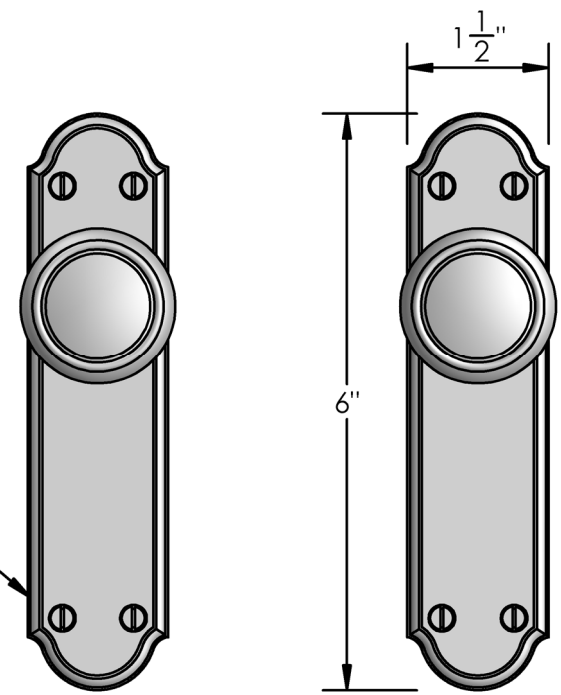
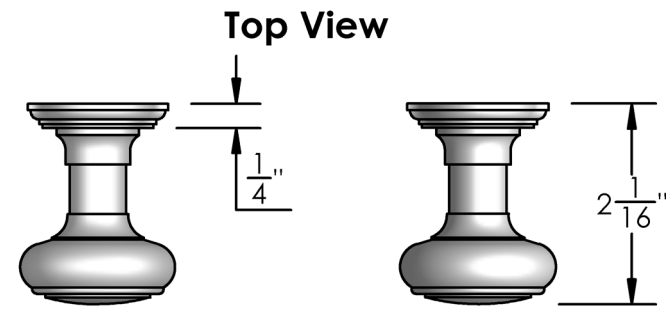
PART. NO.
20360KKD



Mortise Lock

1 1/2", 1 3/4", and 2" backsets available

Strike



Inside

Outside

The information contained in this drawing is the sole intellectual property of Merit Metal Products. Any reproduction in part or as a whole without the written permission of Merit Metal Products is prohibited.

Unless Otherwise Specified:
 Dimensions are in inches
 All dimensions are from edge, theoretical sharp corner, or hole center.

	NAME	DATE
Drawn:	SKP	1/20/15
Comments:		

TITLE: Mortise Screen Door Latch Set - Passage Function - Scalloped 511 Style Escutcheon Plates
PART. NO. 20360KKP