

Merit Metal Products Inc.
242 Valley Road
Warrington, PA 18976
P 215-343-2500 F 215-343-4839

The information contained in this drawing is the sole intellectual property of Merit Metal Products. Any reproduction in part or as a whole without the written permission of Merit Metal Products is prohibited.

Unless Otherwise Specified:
Dimensions are in inches
All dimensions are from edge, theoretical sharp corner, or hole center.

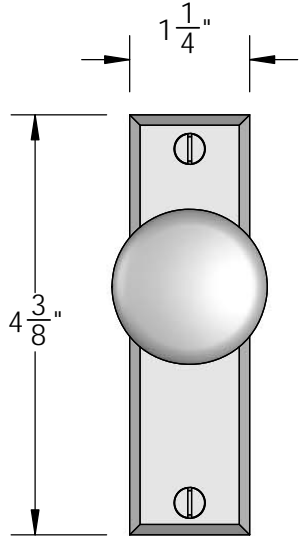
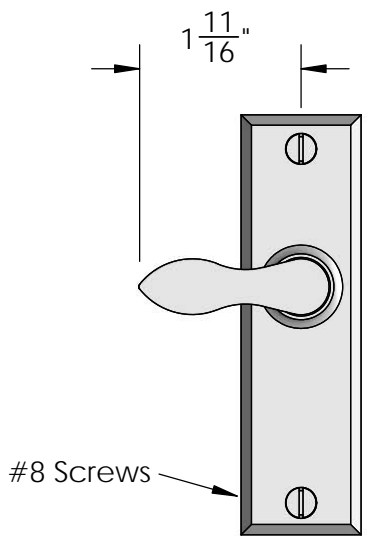
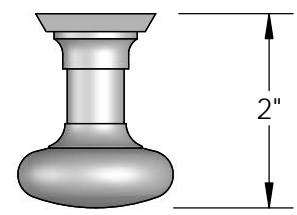
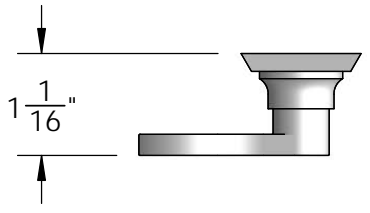
	NAME	DATE
Drawn:	JHR	1/20/15

Comments:

TITLE: **Mortise Screen Door Latch Set - Privacy Function - Rectangular Beveled Style Escutcheon Plates**

PART. NO.
20356

Top View



Inside

Outside

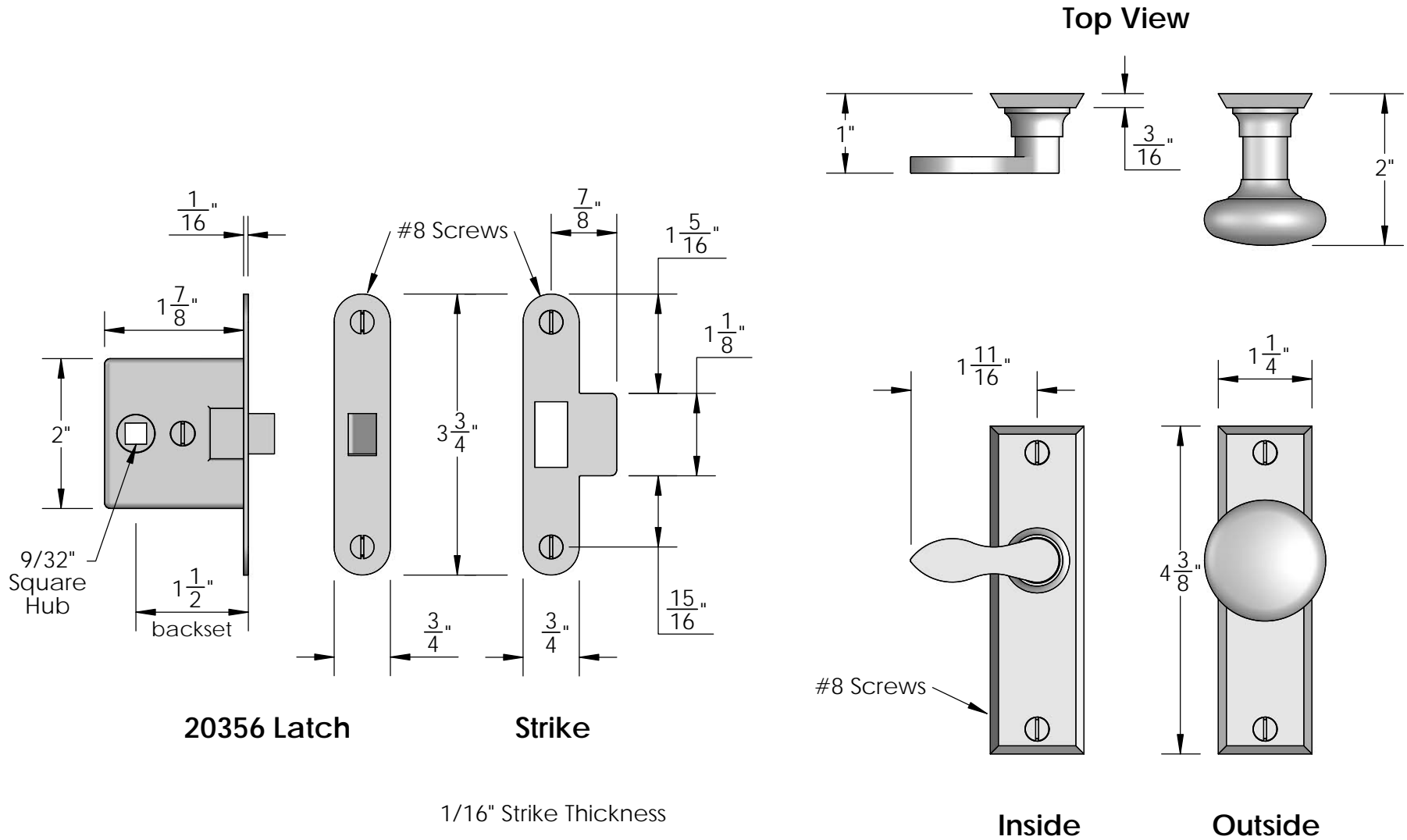
MERIT
EST. 1876
Merit Metal Products Inc.
242 Valley Road
Warrington, PA 18976
P 215-343-2500 F 215-343-4839

The information contained in this drawing is the sole intellectual property of Merit Metal Products. Any reproduction in part or as a whole without the written permission of Merit Metal Products is prohibited.

Unless Otherwise Specified:
Dimensions are in inches
All dimensions are from edge, theoretical sharp corner, or hole center.

	NAME	DATE
Drawn:	JHR	1/20/15
Comments:		

TITLE:	Mortise Screen Door Dummy Trim Lever - Knob
PART. NO.	20356D



Merit Metal Products Inc.
 242 Valley Road
 Warrington, PA 18976
 P 215-343-2500 F 215-343-4839

The information contained in this drawing is the sole intellectual property of Merit Metal Products. Any reproduction in part or as a whole without the written permission of Merit Metal Products is prohibited.

Unless Otherwise Specified:
 Dimensions are in inches
 All dimensions are from edge, theoretical sharp corner, or hole center.

	NAME	DATE
Drawn:	SKP	1/20/15
Comments:		
XXXXXXXX		

TITLE: Mortise Screen Door Latch Set - Passage Function - Rectangular Beveled Style Escutcheon Plates
PART. NO.