

Merit Metal Products Inc.  
 242 Valley Road  
 Warrington, PA 18976  
 P 215-343-2500 F 215-343-4839

The information contained in this drawing is the sole intellectual property of Merit Metal Products. Any reproduction in part or as a whole without the written permission of Merit Metal Products is prohibited.

Unless Otherwise Specified:  
 Dimensions are in inches  
 All dimensions are from edge, theoretical sharp corner, or hole center.

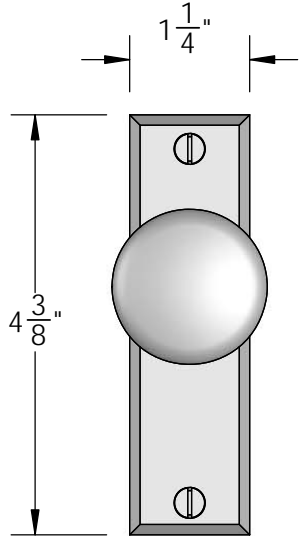
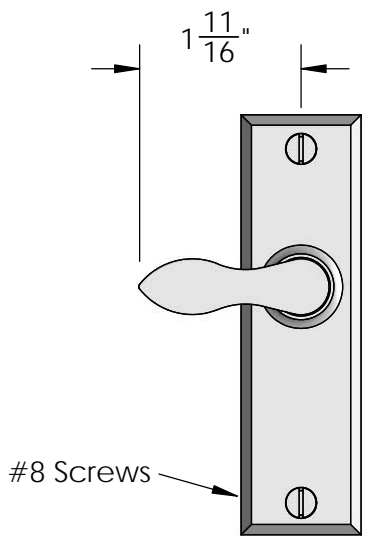
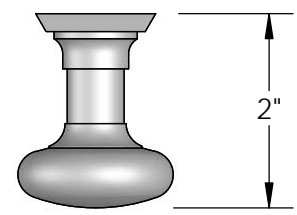
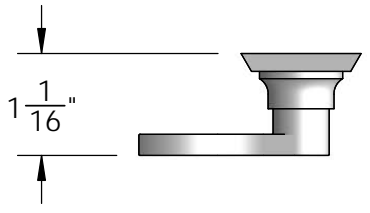
	NAME	DATE
Drawn:	JHR	1/20/15

Comments:

TITLE: **Mortise Screen Door Latch Set - Privacy Function - Rectangular Beveled Style Escutcheon Plates**

PART. NO.  
**20356**

Top View



Inside

Outside

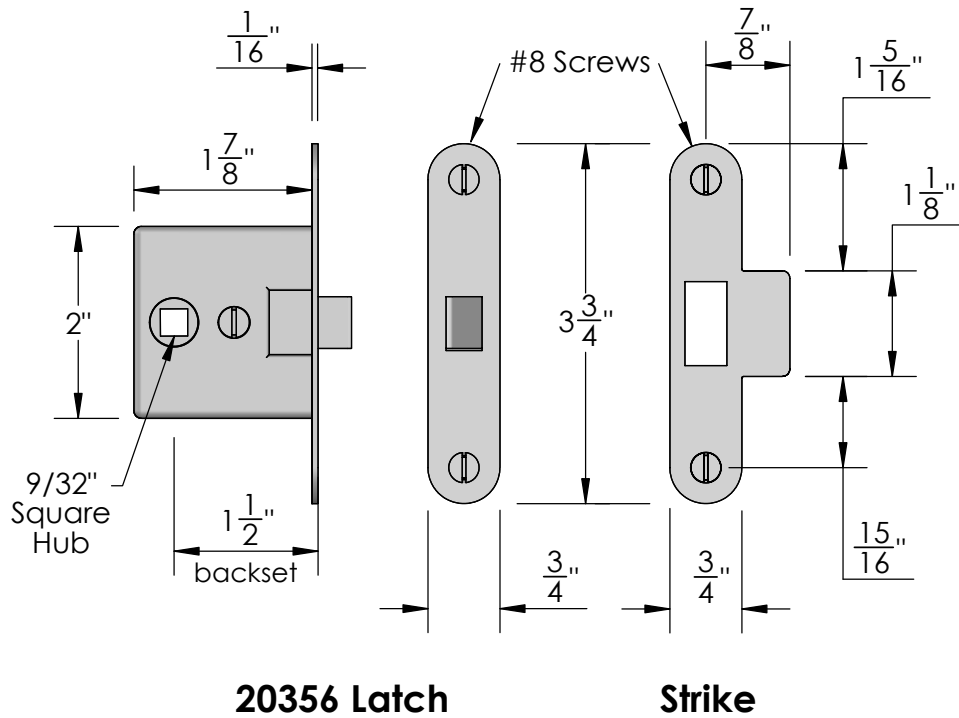
**MERIT**  
EST. 1876  
Merit Metal Products Inc.  
242 Valley Road  
Warrington, PA 18976  
P 215-343-2500 F 215-343-4839

The information contained in this drawing is the sole intellectual property of Merit Metal Products. Any reproduction in part or as a whole without the written permission of Merit Metal Products is prohibited.

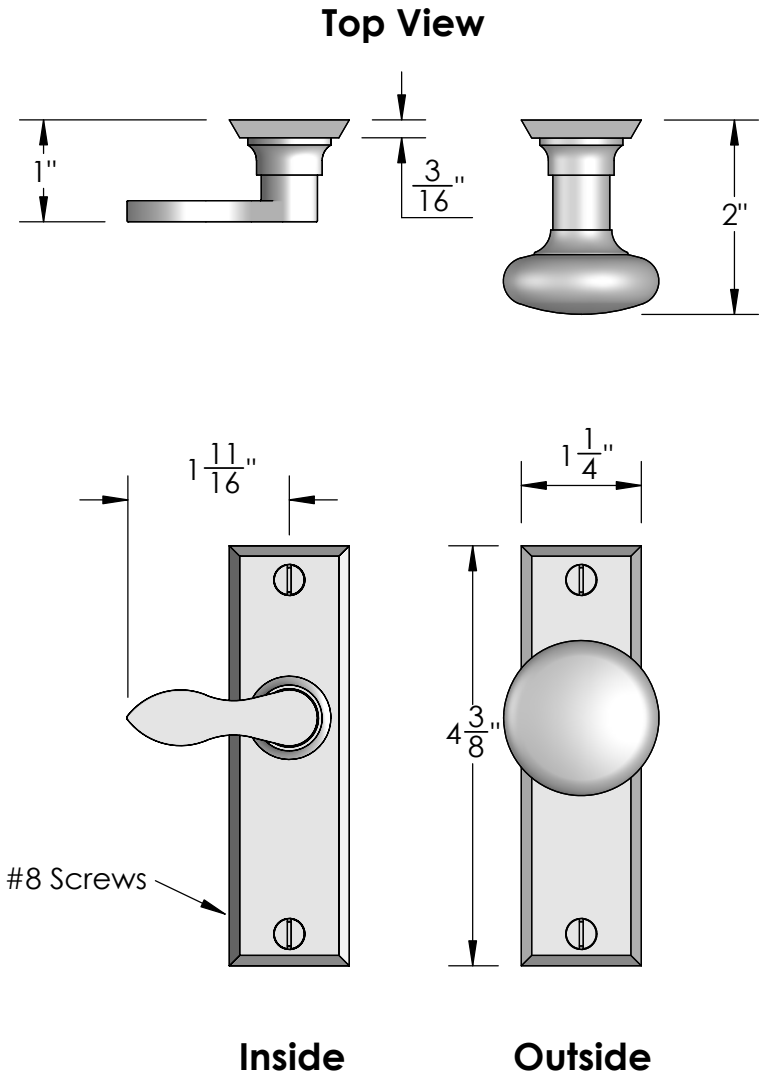
Unless Otherwise Specified:  
Dimensions are in inches  
All dimensions are from edge, theoretical sharp corner, or hole center.

	NAME	DATE
Drawn:	JHR	1/20/15
Comments:		

TITLE:	<b>Mortise Screen Door Dummy Trim Lever - Knob</b>
PART. NO.	<b>20356D</b>



1/16" Strike Thickness



Merit Metal Products Inc.  
242 Valley Road  
Warrington, PA 18976  
P 215-343-2500 F 215-343-4839

The information contained in this drawing is the sole intellectual property of Merit Metal Products. Any reproduction in part or as a whole without the written permission of Merit Metal Products is prohibited.

Unless Otherwise Specified:

Dimensions are in inches

All dimensions are from edge, theoretical sharp corner, or hole center.

	NAME	DATE
Drawn:	SKP	1/20/15

Comments:

TITLE: **Mortise Screen Door Latch Set - Passage Function - Rectangular Beveled Style Escutcheon Plates**

PART. NO.  
**20356P**