

1/16" Strike Thickness



Merit Metal Products Inc.  
242 Valley Road  
Warrington, PA 18976  
P 215-343-2500 F 215-343-4839

The information contained in this drawing is the sole intellectual property of Merit Metal Products. Any reproduction in part or as a whole without the written permission of Merit Metal Products is prohibited.

Unless Otherwise Specified:

Dimensions are in inches

All dimensions are from edge, theoretical sharp corner, or hole center.

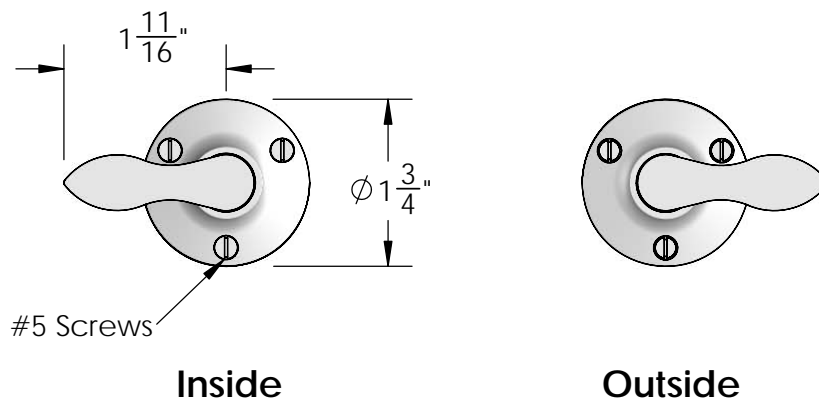
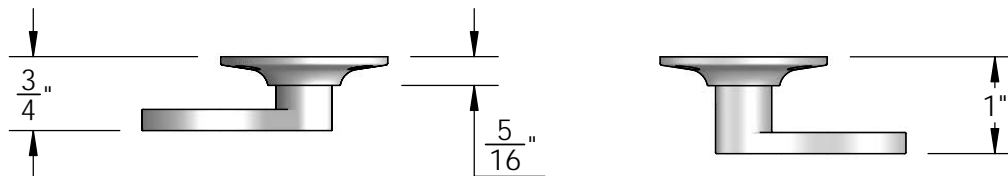
	NAME	DATE
Drawn:	JHR	1/20/15

Comments:  
Must specify handing of outside lever when ordering

TITLE:  
**Mortise Screen Door Latch Set - Passage Function**

PART. NO.  
**20355LL**

Top View



Inside

Outside



Merit Metal Products Inc.  
242 Valley Road  
Warrington, PA 18976  
P 215-343-2500 F 215-343-4839

The information contained in this drawing is the sole intellectual property of Merit Metal Products. Any reproduction in part or as a whole without the written permission of Merit Metal Products is prohibited.

Unless Otherwise Specified:

Dimensions are in inches

All dimensions are from edge, theoretical sharp corner, or hole center.

	NAME	DATE
Drawn:	JHR	1/20/15

Comments:

Must specify handing of outside lever when ordering

TITLE: **Mortise Screen Door Dummy Trim Lever - Lever**

PART. NO. **20355LLD**