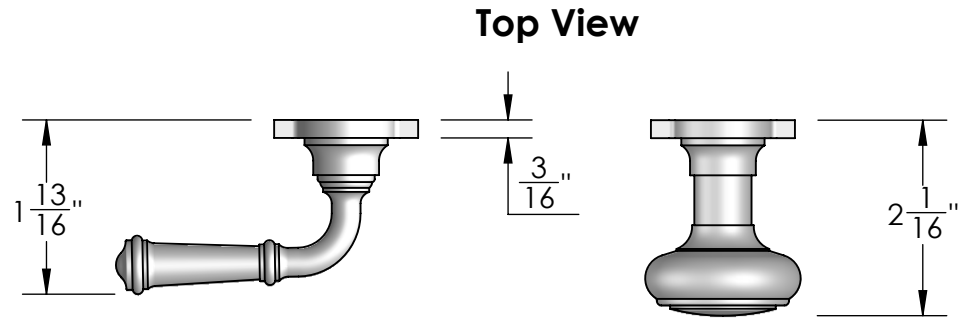
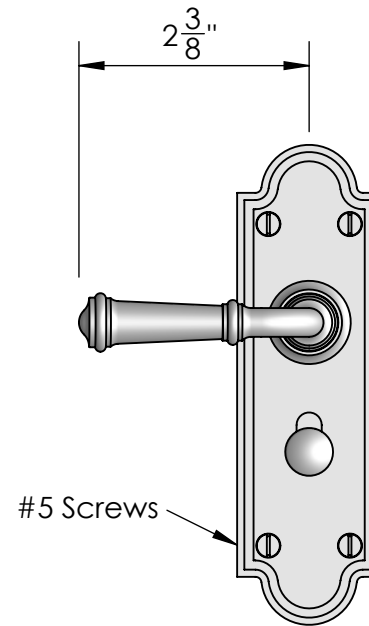


**20356 Latch**

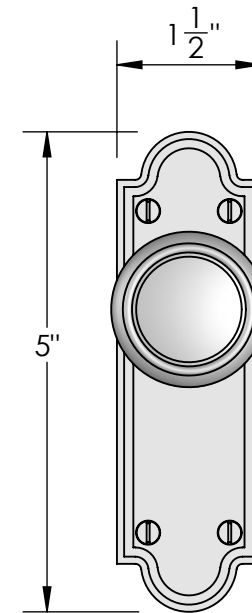
**Strike**



**Top View**



**Inside**



**Outside**



Merit Metal Products Inc.  
242 Valley Road  
Warrington, PA 18976  
P 215-343-2500 F 215-343-4839

The information contained in this drawing is the sole intellectual property of Merit Metal Products. Any reproduction in part or as a whole without the written permission of Merit Metal Products is prohibited.

Unless Otherwise Specified:

Dimensions are in inches

All dimensions are from edge, theoretical sharp corner, or hole center.

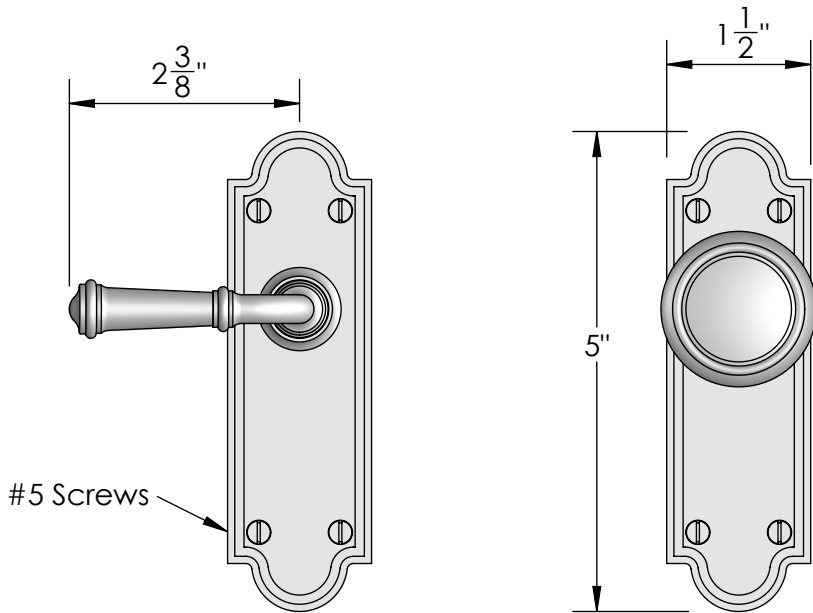
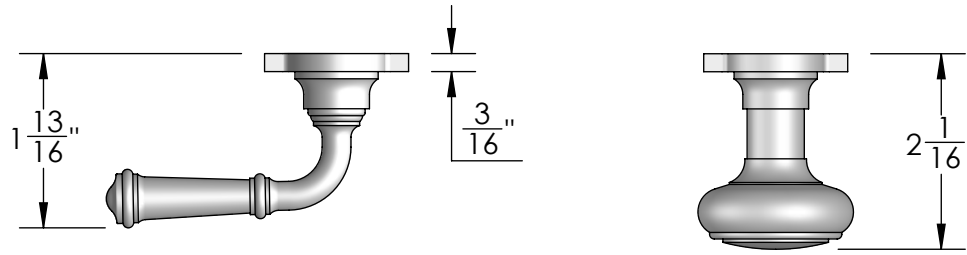
	NAME	DATE
Drawn:	JHR	1/20/15

Comments:

TITLE: **Mortise Screen Door Privacy Latch Set Lever - Knob**

PART. NO. **20353**

**Top View**



**Inside**

**Outside**



Merit Metal Products Inc.  
242 Valley Road  
Warrington, PA 18976  
P 215-343-2500 F 215-343-4839

The information contained in this drawing is the sole intellectual property of Merit Metal Products. Any reproduction in part or as a whole without the written permission of Merit Metal Products is prohibited.

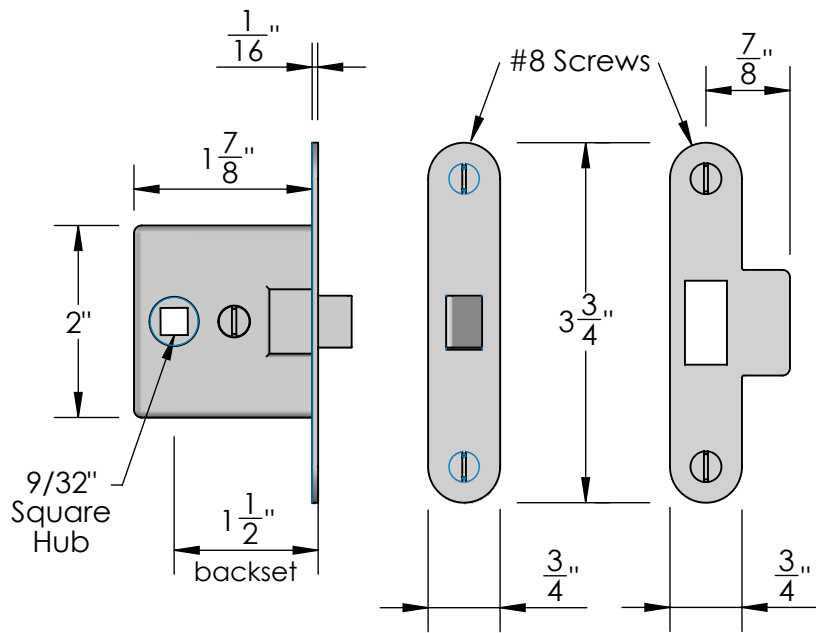
Unless Otherwise Specified:  
Dimensions are in inches  
All dimensions are from edge, theoretical sharp corner, or hole center.

	NAME	DATE
Drawn:	JHR	1/20/15

Comments:

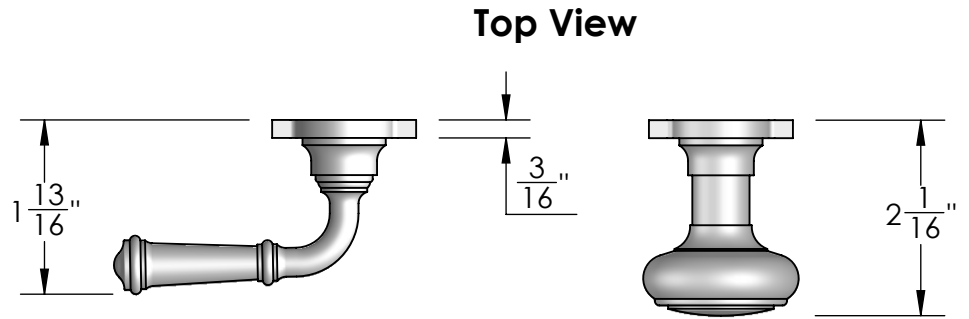
TITLE: **Mortise Screen Door Dummy Trim Lever - Knob**

PART. NO. **20353D**

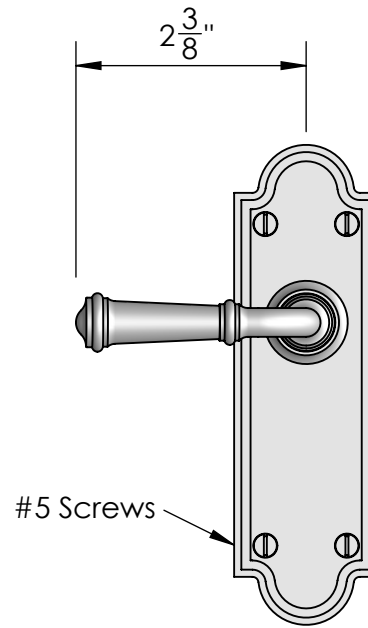


**20356 Latch**

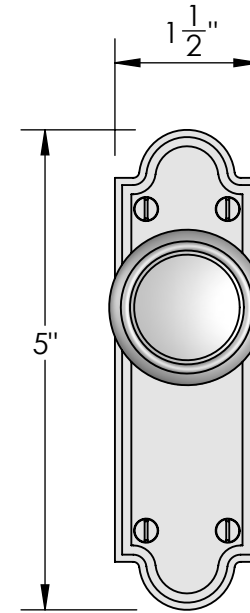
**Strike**



**Top View**



**Inside**



**Outside**



Merit Metal Products Inc.  
242 Valley Road  
Warrington, PA 18976  
P 215-343-2500 F 215-343-4839

The information contained in this drawing is the sole intellectual property of Merit Metal Products. Any reproduction in part or as a whole without the written permission of Merit Metal Products is prohibited.

Unless Otherwise Specified:

Dimensions are in inches

All dimensions are from edge, theoretical sharp corner, or hole center.

	NAME	DATE
Drawn:	JHR	1/20/15

Comments:

TITLE: **Mortise Screen Door Passage Latch Set Lever - Knob**

PART. NO. **20353P**