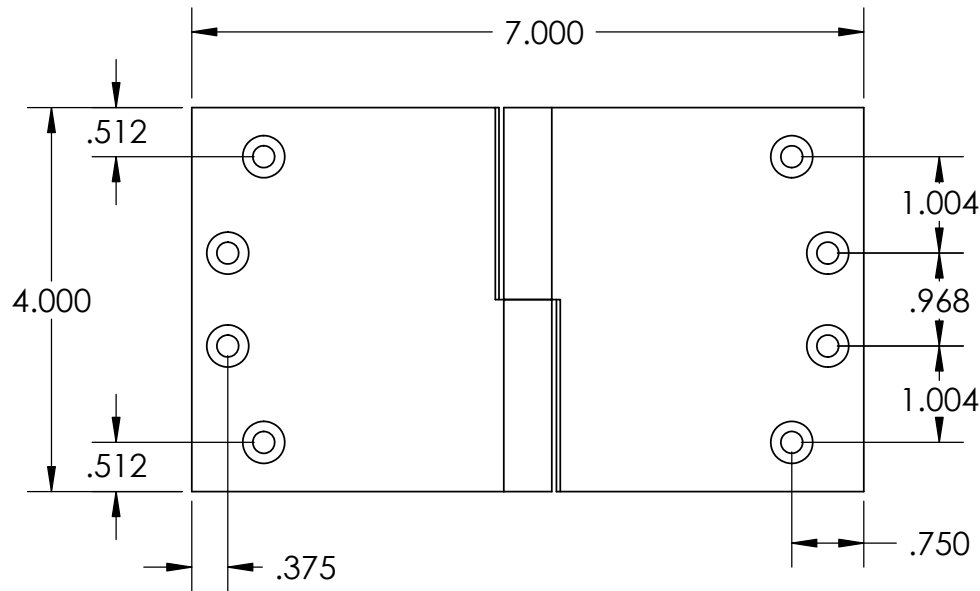


- Specify handing (Left hand shown)
- Countersunk for #12 screws
- Available with all standard finials
- Swaged for mortise application



Merit Metal Products Inc.
242 Valley Road
Warrington, PA 18976
P 215-343-2500 F 215-343-4839

The information contained in this drawing is the sole intellectual property of Merit Metal Products. Any reproduction in part or as a whole without the written permission of Merit Metal Products is prohibited.

Unless Otherwise Specified:

Dimensions are in inches

All dimensions are from edge, theoretical sharp corner, or hole center.

	NAME	DATE
Drawn:	SKP	10/26/2016

Comments:

TITLE:

Round Knuckle Lift Off Hinge - 4" x 7"

PART. NO.

**152-4x7-LH
152-4x7-RH**